

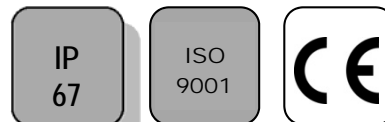
ELECTRIC ACTUATOR SA 05

MAIN CHARACTERISTICS

The SA05 electric actuator is dedicated to the actuation of industrial 1/4" turn valve. The torque value is 50 Nm. With a compact design, an IP67 cast aluminium enclosure and an epoxy protection, the SA electric actuator is especially adapted to the actuation of ball valves and butterfly valves in outdoor or indoor areas. The SA 05 is equipped with a visual 3D position indicator and a manual override driven by an allen key. It complies with the EN 15714-2.

AVAILABLE MODELS

Voltages of supply : 230V CA (50-60Hz), 24V CA/CC et 12V CC



LIMITS OF USE

Indication of protection	IP 67
Room temperature	- 20°C / +70°C
Duty Factor	S2 : 15mn - S4 : 50%

MECHANICAL CHARACTERISTICS

Gear	Treated Steel pignons
Torque	50 Nm
Angle of rotation	90° +/- 5°
Declutch	Without
Manual override	By key (except SA 05 S)



Actuator	SA 05			SA 05 S	
	Voltage	230V CA	24V CA/CC	12V CC	230V CA
Torque (Nm)	50				
Time of operation (s)	17	10	11	100	100
ISO 5211	F03/F05/F17 Star 14				

ELECTRIC CHARACTERISTICS

Protection of the motor	Thermal regulation	Resistance heater	5W resistancy
Limit swithes	2 adjustable switches	Electric connecting	2 x P.E. M20x1.5
Auxiliary swithes	2 adjustable dry switches		

Actuator	SA 05			SA 05 S	
	Voltage	230V CA	24V CA/CC	12V CC	230V CA
Power consumption (W)	6 W	15 W	6 W	6 W	6W
Intensity (A)	0,23	1,8	3,2	0,23	1,8

Modifications reserved



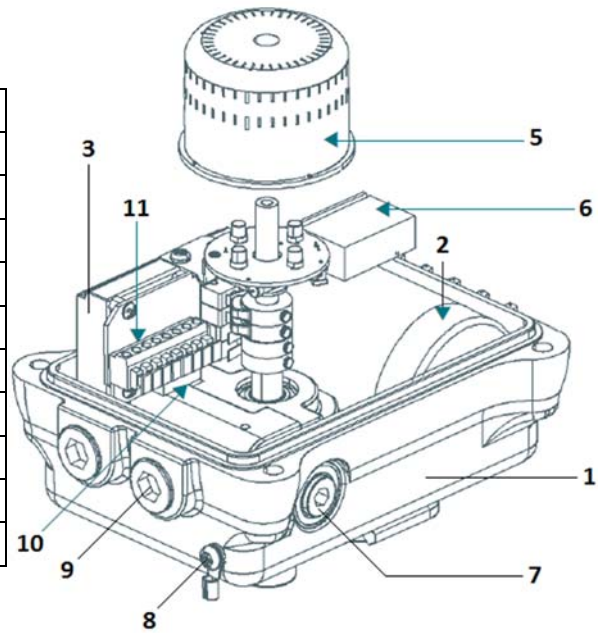
SECTORIEL S.A.
45, rue du Ruisseau
38290 SAINT QUENTIN-FALLAVIER – FRANCE
Tél : +33 4 74 94 90 – Fax : +33 4 74 94 13 95
www.sectoriel.fr / Email : sectoriel@sectoriel.fr

Nbr. de pages	1/3
Ref.	FT23010 ENG
Rev.	09
Date	11/2014

ELECTRIC ACTUATOR SA 05

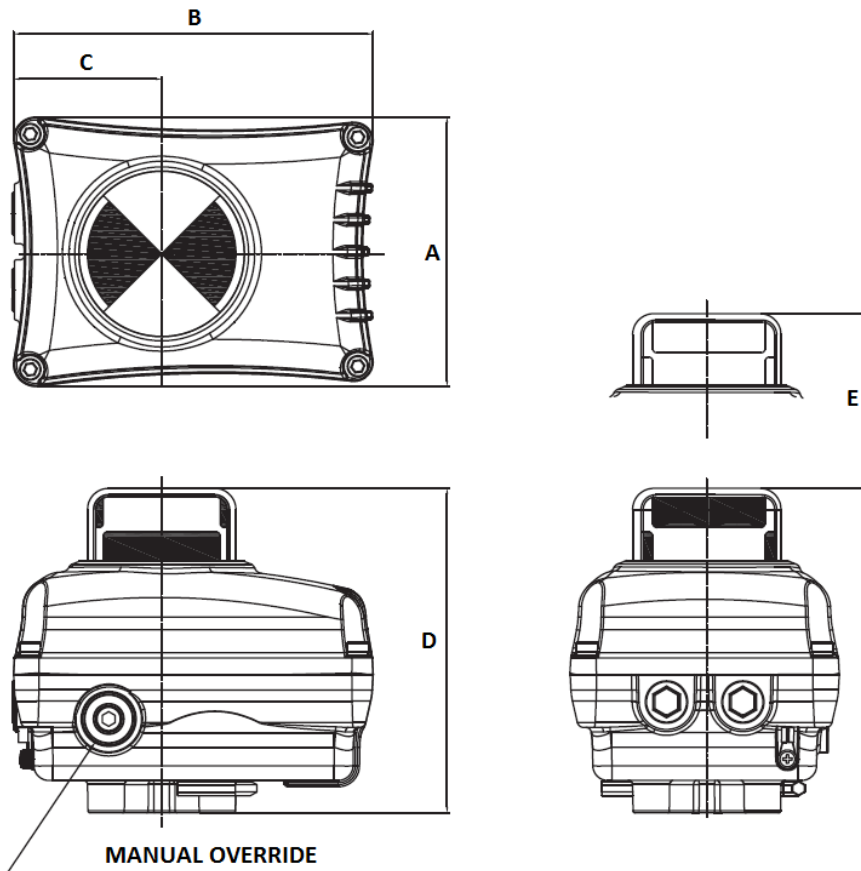
CONSTRUCTION

1	Housing	Coated Aluminium polyester
2	Electric motor	
3	Gear	Treated steel
4	Cover	Coated Aluminium polyester
5	Position indicator	polycarbonate
6	Condenser	
7	Manual override	
8	Earthing	
9	Cables entrances	
10	Resistance heater	
11	Therminal block	



DIMENSIONS (mm) AND WEIGHT (kg)

Dimensions (mm)	A	B	C	D	E	Weight (Kg)
SA 05	127	170	70	153	80	3,2



Modifications reserved

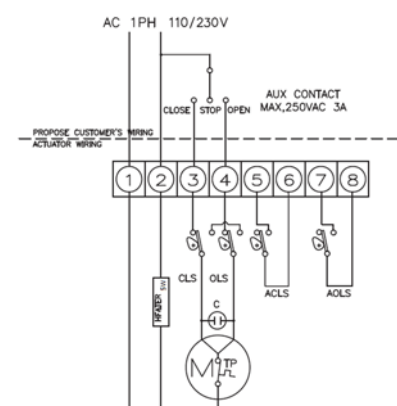


SECTORIEL S.A.
45, rue du Ruisseau
38290 SAINT QUENTIN-FALLAVIER – FRANCE
Tél : +33 4 74 94 90 – Fax : +33 4 74 94 13 95
www.sectoriel.fr / Email : sectoriel@sectoriel.fr

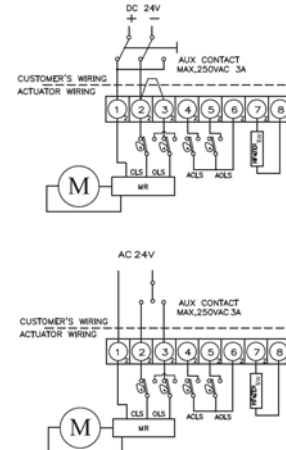
Nbr. de pages	2/3
Ref.	FT23010 ENG
Rev.	09
Date	11/2014

ELECTRIC ACTUATOR SA 05

WIRING DIAGRAM 230V CA 50Hz/60Hz

1	common	<p>CLS : Close Limit Switch (250VAC 3A) OLS : Open Limit Switch (250VAC 3A) ACLS : Aux Close Limit Switch (250VAC 3A) AOLS : Aux Open Limit Switch (250VAC 3A) TP : Thermal Protector (250VAC 3A) RM : Motor Regulation</p> 
2	Resistance heater	
3	Command lock	
4	Command opening	
5	auxiliary lock	
6	Auxiliary lock	
7	Auxiliary opening	
8	Auxiliary opening	

WIRING DIAGRAM 24V CA/CC – 12VCC

1	Common or +	<p>CLS : Close Limit Switch (250VAC 3A) OLS : Open Limit Switch (250VAC 3A) ACLS : Aux Close Limit Switch (250VAC 3A) AOLS : Aux Open Limit Switch (250VAC 3A) TP : Thermal Protector (250VAC 3A) RM : Motor Regulation</p> 
2	Command lock	
3	Command opening	
4	Auxiliary lock	
5	Auxiliary opening	
6	Common auxiliaries	
7	Supply resistance heater	
8	Supply resistance heater	

OPTIONS

1	SA 05 X : version for hazardous area
2	SA 05 PIU : version with potentiometer
3	SA 05 CPT : version with position of transmitter 4-20 mA
4	SA 05 PCU : version with regulation of card 0-10, 2-10V, 2-20 mA, 4-20 mA
5	SA 05 LCU : version local control unit
6	SA 05 RBP : version with block of security battery integrated

Modifications reserved



SECTORIEL S.A.
 45, rue du Ruisseau
 38290 SAINT QUENTIN-FALLAVIER – FRANCE
 Tél : +33 4 74 94 90 – Fax : +33 4 74 94 13 95
www.sectoriel.fr / Email : sectoriel@sectoriel.fr

Nbr. de pages	3/3
Ref.	FT23010 ENG
Rev.	09
Date	11/2014