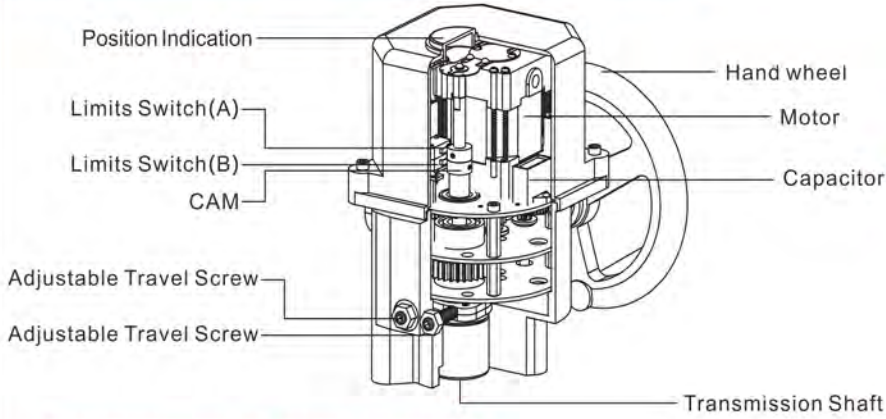


UM-5 UM-6 Direct Mount Series

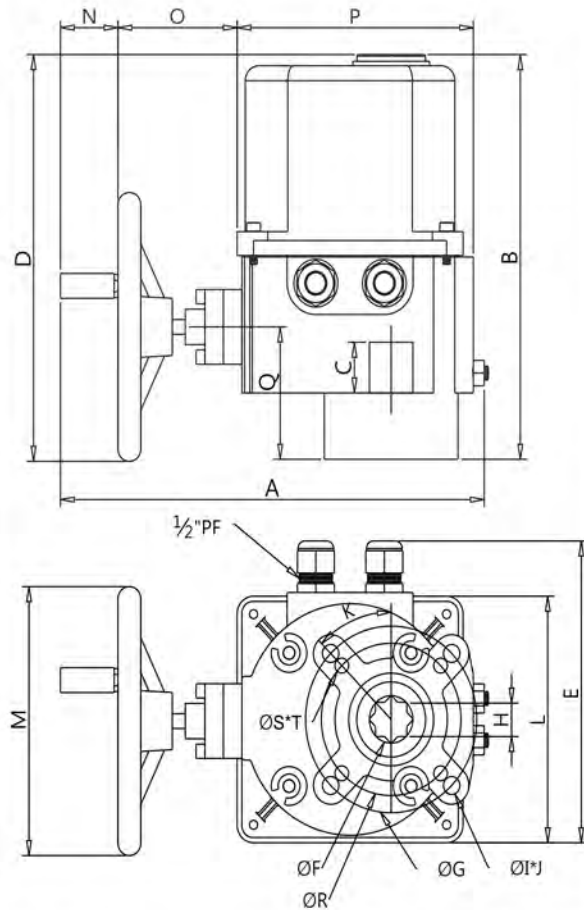
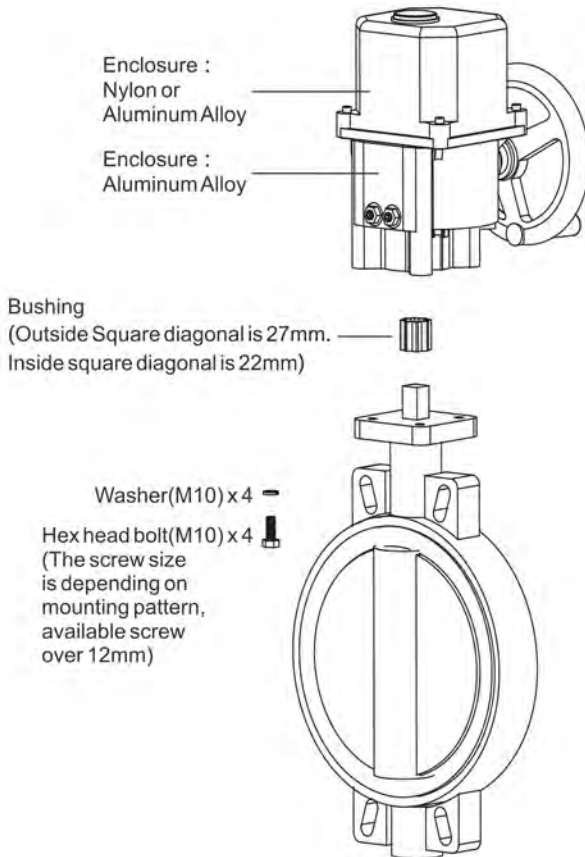


Weight : 10 kg

※The following values are subject to begin with 60Hz

Model	Specification				Speed (sec)		Output Torque Kgf-cm		
	Power	AC110V	AC220V	DC24V	AC	DC	AC110V	AC220V	DC24V
UM-5	40W	0.9A	0.6A	N/A	30	N/A	4266	4873	N/A
UM-6	60W	1.0A	0.7A	N/A	30	N/A	5689	6081	N/A
UM-6	65W	N/A		0.8A	N/A	30	N/A		6000

Model	Valve Size		
	Ball Valve flange	Butterfly Valve	3-Way Valve
UM-5	4 ~ 5"	8" ~ 10"	3" ~ 4"
UM-6	5" ~ 6"	10" ~ 12"	4" ~ 5"



Action Interval: 5 minutes per travel

Dimension (mm)	Model																	ISO 5211			
	A	B	C	D	E	F	G	H	I	J	K	L	M	N	O	P	Q		R	S	T
UM-5/UM-6	310	276	34	274	203	36.5	125	27	M12	4	45°	165	180	42	87	173	92	102	M10	4	F10/F12