

# BE1 AIR VENT VALVE

## PVC-U - PP

### FEATURES

The BE1 float air vent valve is used to remove air or an incondensable air from a liquid circuit. Its presence improves the circulation of a fluid across piping, prevents the occurrence of noises, and protects circulation pumps. Made of PVC-U or PP, BE1 is suitable for a large number of applications. It has to be installed in vertical position, at the top point of the volume to be vent.

### AVAILABLE VERSIONS

REFERENCE	BODY	GASKETS
5500LC ---*	PVC-u	EPDM
5501LC ---*	PVC-u	FPM
5510LC ---*	PP	EPDM
5511LC ---*	PP	FPM

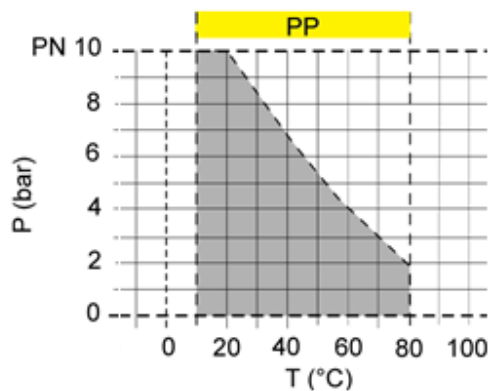
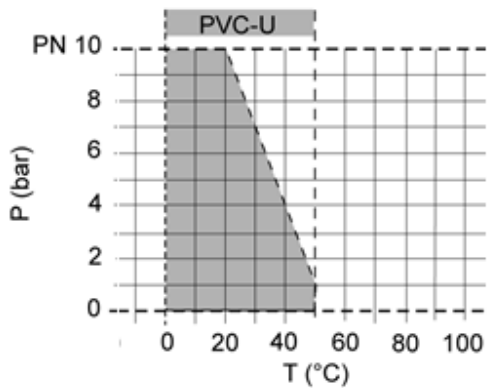
\*-- DN of the valve (Example : BE1 PVC-U/FPM DN25 valve code 5501LC025)

Diameter: DN15 to DN80

Female end connection according to DIN/ISO



### LIMITS OF USE



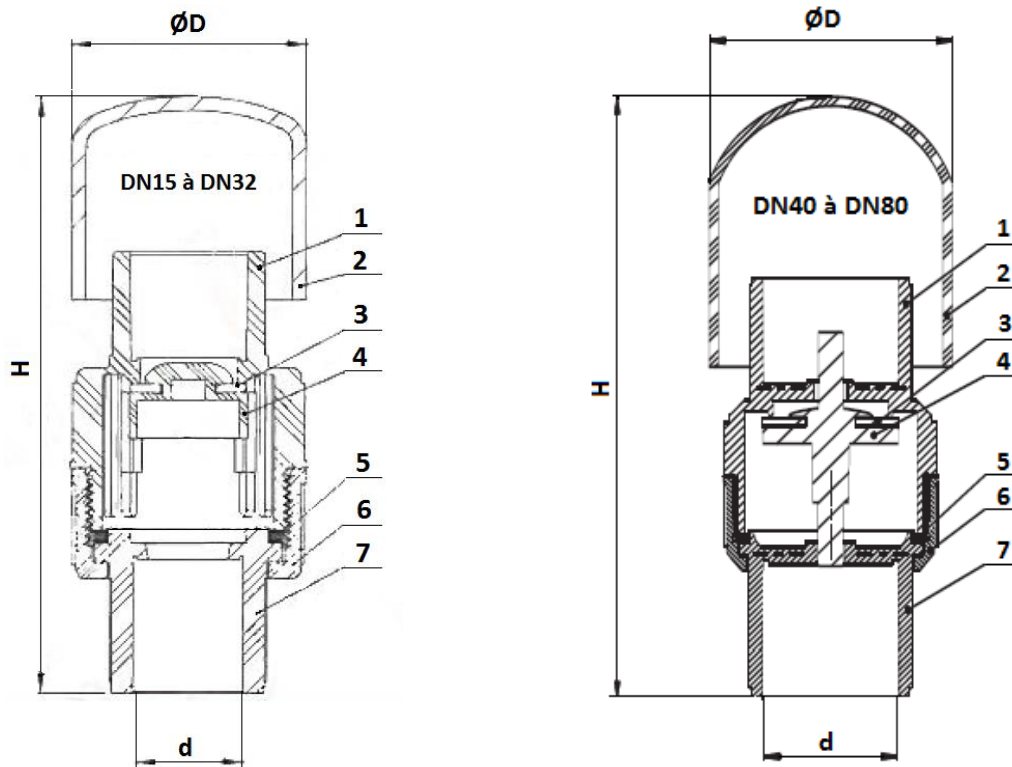
The limits of each material are valid for the nominal pressures indicated, and for a service life of 25 years. These are indicative values for non-hazardous transported materials (DIN 2403), for which the valve material is resistant. Please contact us for use at temperatures below 0°C (+10°C for PP).

# BE1 AIR VENT VALVE

## PVC-U - PP

### DIMENSIONS (mm)

DN	d	ØD	H
15	20	50	153
20	25	56	172
25	32	70	209
32	40	85	244
40	50	101	270
50	63	101	276
65	75	135	300
80	90	135	320



### CONSTRUCTION

N°	Name	BE1 PVC-U	BE1 PP
1	Body	PVC-u	PP
2	Cover	PP	PP
3	Flat gasket	EPDM/FPM	EPDM/FPM
4	Disc	PP	PP
5	Gasket	EPDM/FPM	EPDM/FPM
6	Union nut	PVC-U	PP
7	Union collar:	EPDM / FPM	EPDM / FPM