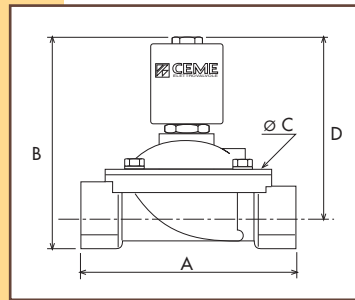
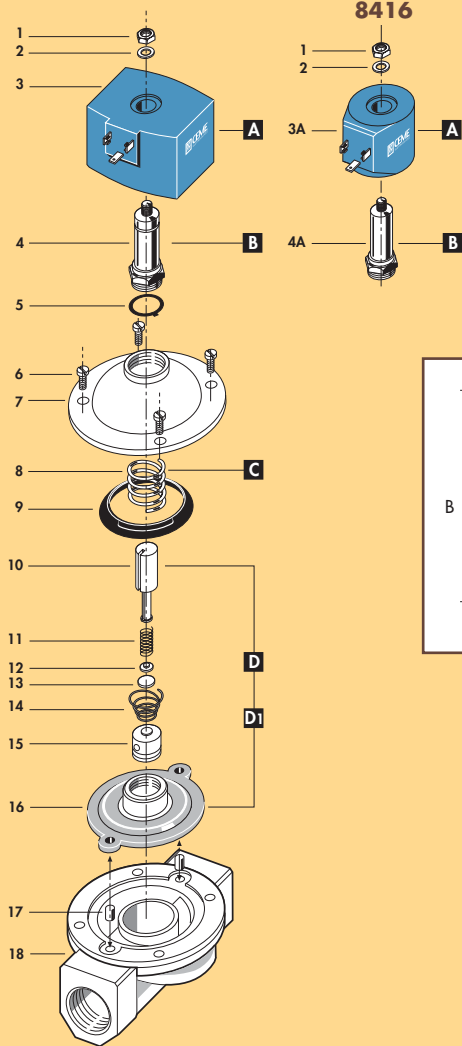


8417
8418
8419

8413
8414
8415
8416



CARATTERISTICHE SPECIFICATIONS

| ATTACCHI PIPES in → out | Ø mm | CODICE CODE | KV m ³ /h | M.O.P.D. bar | | DIMENSIONI/DIMENSIONS mm | | | | PESO/WEIGHT Kg |
|-------------------------------|---------|----------------|-------------------------|-----------------|----|-----------------------------|-----|-----|-----|-------------------|
| | | | | AC | DC | A | B | C | D | |
| G 3/8 | 12 | 8413 | 2.20 | 5 | 5 | 61 | 105 | 48 | 92 | 0.680 |
| G 1/2 | 12 | 8414 | 2.20 | 5 | 5 | 61 | 105 | 48 | 92 | 0.660 |
| G 3/4 | 20 | 8415 | 5.50 | 4 | 2 | 100 | 110 | 80 | 93 | 1.100 |
| G 1 | 25 | 8416 | 7.50 | 4 | 2 | 100 | 116 | 80 | 96 | 1.200 |
| G 1 1/4 | 36 | 8417 | 17.50 | 4 | 2 | 146 | 200 | 128 | 170 | 5.200 |
| G 1 1/2 | 39 | 8418 | 19.00 | 4 | 2 | 146 | 200 | 128 | 170 | 5.000 |
| G 2 | 51 | 8419 | 32.40 | 4 | 2 | 174 | 216 | 146 | 180 | 6.500 |
| 3/8 NPT | 12 | 8423 | 2.20 | 5 | 5 | 61 | 105 | 48 | 92 | 0.680 |
| 1/2 NPT | 12 | 8424 | 2.20 | 5 | 5 | 69 | 105 | 48 | 92 | 0.670 |

CARATTERISTICHE ELETTRICHE ELECTRICAL INFORMATION

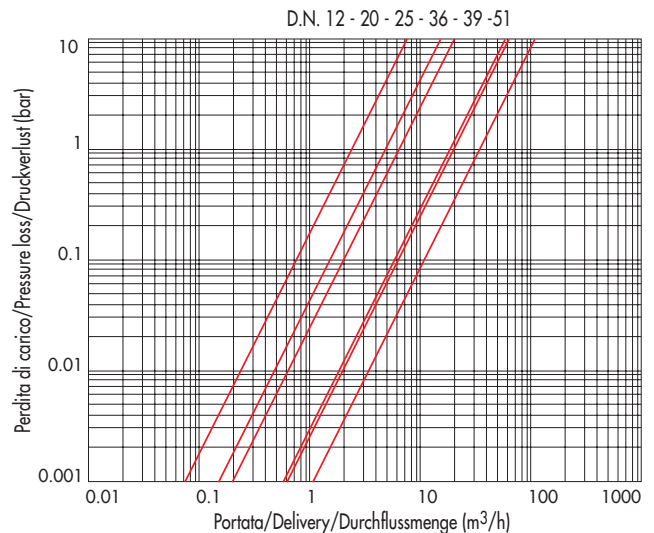
| | V~ | 12 | 24 | 48 | 110 | 230 | 400 | 50 | 60 | Hz | POTENZA/POWER | | | | | |
|--|----|----|----|----|-----|-----|-----|----|----|----|---------------|---------------------|-------------------|---------------------|-------------------|--|
| | | | | | | | | | | | 8413-14-15-16 | | 8417-18-19 | | | |
| | V= | 12 | 24 | 48 | 110 | | | | | | | NOMINALE HOLDING | SPUNTO IN RUSH | NOMINALE HOLDING | SPUNTO IN RUSH | |
| | | | | | | | | | | | 18VA | 47VA | 140VA | 430VA | | |
| | | | | | | | | | | | 21W | | 43W | | | |

Per dettagli costruttivi sulle bobine vedi capitolo "INFORMAZIONI DI PROGETTO"
For construction details of the coils see chapter "PROJECT INFORMATION"
Ausführliche Daten über die Ventilsolenen finden Sie unter Abschnitt "TECHNISCHE
INFORMATIONEN"

MAX TEMPERATURA MAX TEMPERATURE

| FLUIDI/FLUIDS | | | | AMBIENTE/AMBIENT |
|---------------|-------|----------|------|------------------|
| NBR | EPDM | EPDM-KTW | FPM | |
| 130°C | 130°C | 150°C | 90°C | 80°C |

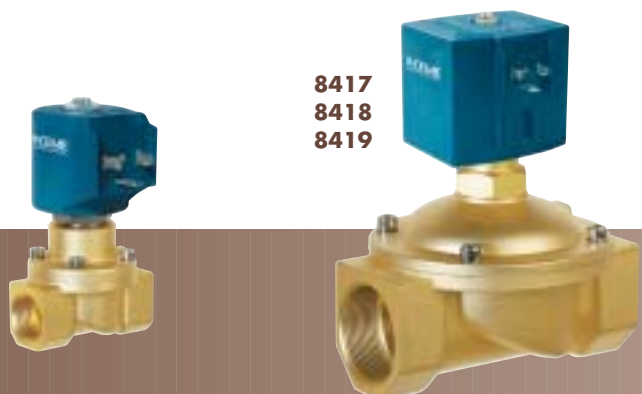
DIAGRAMMA PERDITA DI CARICO PRESSURE LOSS DIAGRAM



| | | | |
|---------|------------------------|-----------------------|--------------------------|
| 1 | Dado | Lock nut | Mutter |
| 2 | Rondella | Washer | Beilagscheibe |
| 3 | Bobina | Coil | Magnetspule |
| 4 | Canotto | Tube guide | Plungerrohr |
| 5 | O-ring | O-ring | O-ring |
| 6 | Vite | Screw | Schraube |
| 7 | Coperchio | Valve body top | Deckel |
| 8 | Molla | Spring | Feder |
| 9 | Anello | Ring | Ring |
| 10 | Nucleo mobile | Plunger | Plunger |
| 11 | Molla | Spring | Feder |
| 12 | Piattello | Support | Scheibe |
| 13 | Pastiglia | Seal | Dichtung |
| 14 | Molla | Spring | Feder |
| 15 | Bussola | Bush | Buchse |
| 16 | Membrana | Diaphragm | Membrane |
| 17 | Bussola | Bush | Buchse |
| 18 | Corpo | Valve body base | Grundkörper |
| RICAMBI | | SPARE PARTS | ERSATZTEILE |
| A | Bobina | Coil | Magnetspule |
| B | Canotto | Tube guide | Plungerrohr |
| C | Molla | Spring | Feder |
| D | Gruppo membrana (C.A.) | Diaphragm unit (A.C.) | Membrane Aggregat (A.C.) |
| D1 | Gruppo membrana (C.C.) | Diaphragm unit (D.C.) | Membrane Aggregat (D.C.) |

8413
8414
8415
8416
8423
8424

8417
8418
8419



serie 84

ELETTROVALVOLA SERVOASSISTITA 2/2 VIE N.C.
SOLENOID VALVE SERVO-ACTUATED 2/2 WAY N.C.
ZWANGSGESTEUERTES MAGNETVENTIL 2/2 WEGE S.G.



I CARATTERISTICHE GENERALI

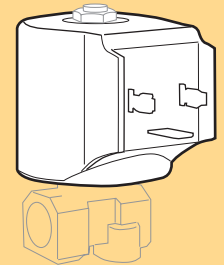
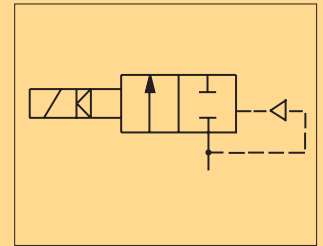
- PRESSIONE MINIMA DIFFERENZIALE DI FUNZIONAMENTO** 0 bar
PARTI A CONTATTO CON IL FLUIDO
TENUTA NBR a richiesta FPM - EPDM
 EPDM-KTW tenuta adatta e certificata DVGW per l'intercettazione di acqua potabile.
CORPO OTTONE
ORGANI INTERNI ACCIAIO INOX
FLUIDI ACQUA - ARIA - OLII LEGGERI
VALVOLA UNIDIREZIONALE
VALVOLA ISPEZIONABILE
VALVOLA FORNITA CON
POSIZIONE DI MONTAGGIO CONNETTORE TRIPOLARE UNI ISO 4400 (DIN 43650A) - IP65.
 Si consiglia di montare la valvola con la bobina rivolta verso l'alto. I modelli 8417, 8418, 8419 devono essere installati in posizione orizzontale con bobina rivolta verso l'alto.
TEMPERATURA AMBIENTE 80°C, in D.C. per temperature superiori a 40°C, le performance (M.O.P.D.) potrebbero diminuire.
ESECUZIONI SPECIALI
 - VERSIONE ANTI COLPO D'ARIE CON TEMPO DI CHIUSURA + PIU' LENTO.
 - PER I MODELLI 8415 e 8416 E' DISPONIBILE LA BOBINA B20 (30 W) PER AUMENTARE LA PRESTAZIONE IN D.C. (M.O.P.D.) A 4 BAR.
 - VERSIONE CON OMOLOGAZIONE KTW.

UK GENERAL FEATURES

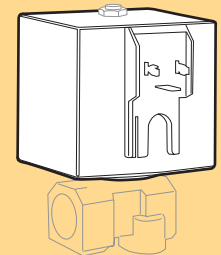
- MINIMUM DIFFERENTIAL WORKING PRESSURE:** 0 bar
PARTS IN CONTACT WITH THE FLUID
SEALING NBR on request FPM - EPDM
 EPDM-KTW sealing approved and DVGW certified for interception of potable water
BODY BRASS
INTERNAL PARTS STAINLESS STEEL
FLUIDS WATER- AIR - LIGHT OILS
ONE WAY DIRECTION VALVE
SERVICEABLE VALVE
VALVE SUPPLIED WITH
MOUNTING POSITION THREE POLE PLUG CONNECTOR UNI ISO 4400 (DIN 43650A)-IP65
 We advice installation of the valve with the coil vertical. Models 8417,8418,8419 must be mounted in the horizontal position with the coil vertical.
AMBIENT TEMPERATURE 80°C, in D.C. for temperatures higher than 40°C, the performances (M.O.P.D.) could decrease.
SPECIAL EXECUTIONS
 - VERSION WITH WATER HAMMER DEVICE FOR SLOWER CLOSING TIME
 - FOR MODELS 8415 AND 8416 , COIL TYPE B20 (30 W) IS AVAILABLE TO INCREASE PERFORMANCES (M.O.P.D.) IN D.C. TO 4 BAR.
 - VERSION WITH KTW HOMOLOGATION.

D ALLGEMEINE MERKMALE

- MINIMALER DIFFERENTIALARBEITSDRUCK** 0 bar
MEDIUMS BERUEHRTE TEILE
DICHTUNG NBR auf Nachfrage FPM - EPDM
 EPDM-KTW Dichtung DVGW-KTW zertifiziert fuer den Trinkwassereinsatz.
KOERPER MESSING
INNERE ELEMENTE EDELSTAHL
MEDIEN WASSER - LUFT- LEICHTE OELE
UNIDIREKTIONALES VENTIL
VENTIL WARTUNGSFREUNDLICH
LIEFERUMFANG DREIPOLIGER STECKER UNI ISO 4400 (DIN 43650A)-IP65
MONTAGEPOSITION Es wird empfohlen das Ventil mit der Spule senkrecht nach oben einzubauen.
 Die Modelle 8417,8418,8419 muessen mit der Spule senkrecht nach oben eingebaut werden.
UMGEBUNGSTEMPERATUR 80°C, im D.C.- Betrieb koennen Temperaturen ueber 40°C, die Schaltkraefte (M.O.P.D.) des Ventils beeintraehtigen.
SONDERAUSFUEHRUNGEN
 - AUSFUEHRUNG LANGSAM SCHLIESSEND
 - FUER DIE MODELLE 8415 UND 8416 IST DIE SPULE B20 (30 W) VERFUEGBAR UM DIE SCHALTKRAEFTE (M.O.P.D.) IN D.C. AUF 4 BAR ZU ERHOEHEN.
 - VERSION MIT HOMOLOGATION KTW.



8413-8414-8415-8416-8423-8424
BOBINA TIPO B12
COIL TYPE B12
SPULE TYP B12



8417-8418-8419
BOBINA TIPO B60
COIL TYPE B60
SPULE TYP B60