

SANITARY PRESSURE SUSTAINING VALVE PS-160

DESCRIPTION

The ADCA PS-160 series **direct acting, spring-loaded diaphragm sensing**, pressure sustaining valves are designed for use on clean steam, compressed air, water and other gases or liquids compatible with the materials of construction.

MAIN FEATURES

Compact design.
Completely machined from barstock material, no castings or forgings are used on the standard version.
No rising stem

STANDARD SURFACE FINISH

Internal wetted parts: $\leq 0,5$ micron Ra
External : $\leq 0,8$ micron Ra
(0,25 micron Ra and electro polished as option)
Ultrasonic cleaning



OPTIONS: Leakage line connection 1/8" (captured vent).
Different soft valves for liquids and gases.
Casted cover (CF8M) with rising stem handwheel for economic reasons.

USE: Clean steam, compressed air, water and other gases and liquids compatible with the construction.

AVAILABLE MODELS: PS-160

SIZES: DN3/4", 1", 1 1/2", 2" ; DN 20, 25, 40, 50.

SPRING RANGES: 0,8 – 1,5 bar; 1 – 3 bar; 1,5 – 8 bar.

CONNECTIONS: Clamp ends or others on request

PACKAGING: Assembling and packaging in a clean room certified according to ISO 14644-1.
The product is end capped and vacuum sealed with recyclable plastic film to avoid contamination.

INSTALLATION: Horizontal installation. Inlet horizontal and vertical outlet angle connection. See IMI.

ORDER REQUIREMENTS: Type of fluid
Maximum operating temperature
Inlet pressure and required outlet pressure
Capacity (maximum and minimum).

LIMITING CONDITIONS	
Valve model	PS-160
Body design conditions	PN 16
Max.upstream pressure	8 bar
Min.upsteam pressure	0,8 bar
Max.design temperature *	150 °C

*Other on request.

CE MARKING (PED - European Directive 97/23/EC)	
PN 16	Category
DN 3/4" to 2"	SEP - art. 3, paragraph3

DIMENSIONS (Clamp conn.)

SIZE DN	A	B	C	D	WGT. Kgs
3/4"-20	85	56	192	130	6,7
1"-25	85	55	192	130	6,8
1 1/2"-40	85	65	199	130	7,6
2"-50	85	69	205	130	7,8

* Different lengths on request.

Consult factory for certified dimensions

Dimensions subject to change without notice

CAPACITIES

Valve Size	3/4"-20	1"-25	1 1/2"-40	2"-50
KVs (m3/h)	1,3* - 3	3,5* - 4,5	5,3	8,5

*Max. available Kvs with ASME BPE clamp connection

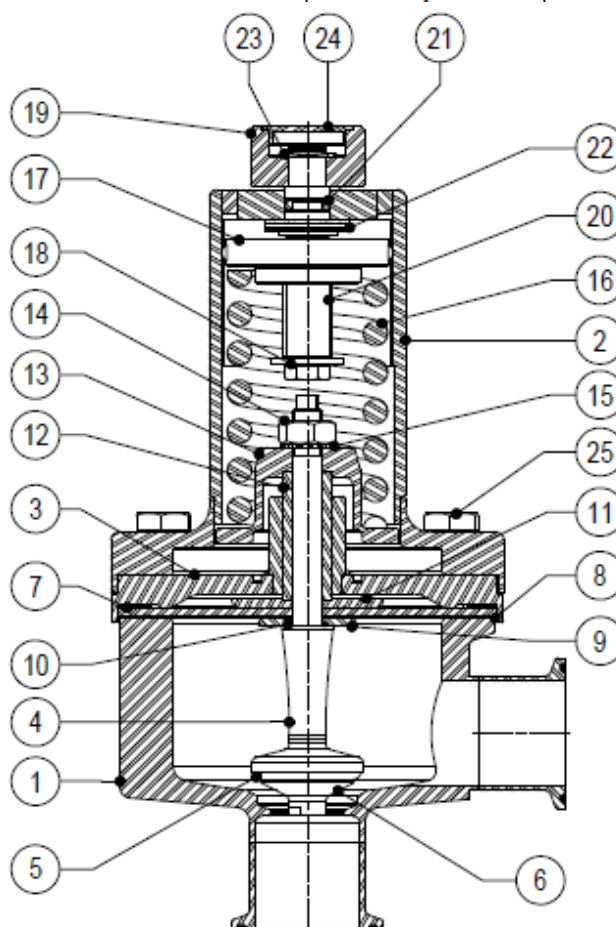
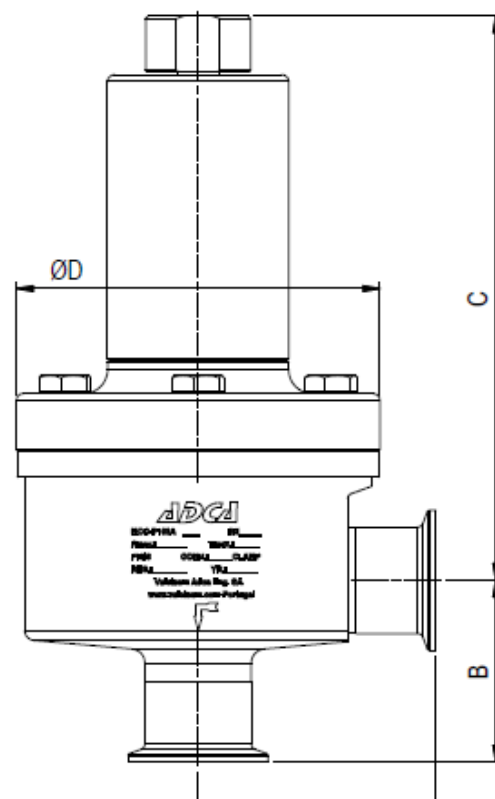
MATERIALS

POS.	DESIGNATION	MATERIAL
1	Valve body	AISI316L / 1.4404
2	Cover	AISI316L / 1.4404
3	Centering plate	AISI316L / 1.4404
4	* Valve stem	AISI316L/1.4404
5	* Soft plug	EPDM; PTFE **
6	* Valve plug	AISI316L / 1.4404
7	* Upper diaphragm	EPDM;VITON**
8	* Lower diaphragm	PTFE
9	Diaphragm plate	AISI316L / 1.4404
10	* O-ring	EPDM
11	Diaphragm plate	AISI316L / 1.4404
12	Stem guide	AISI316 / 1.4401
13	Spring plate	AISI316 / 1.4401
14	Nut	St.Steel A2 - 70
15	Washer	AISI316 / 1.4401
16	* Adjustment spring	AISI 302 / 1.4300
17	Top spring plate	AISI316 / 1.4401
18	Retaining washer	St.Steel A2 - 70
19	Regulating nut	AISI316L / 1.4404
20	Adjustment screw	AISI304 / 1.4301
21	O-ring	EPDM
22	Bearing	Corrosion res. steel
23	Ext.bowed shaft ring	Stainless steel
24	Cover nut	Plastic
25	Bolts	A2

* Available spare parts; **Others according to the fluid

FDA/USP Class VI seals certificate on request

Viton diaphragm only with FDA approval (Pos.7)



Remarks: All valves have a serial number. In case of non-standard valves this number must be supplied if spare parts are ordered.

We reserve the right to change the design and material of this product without notice.