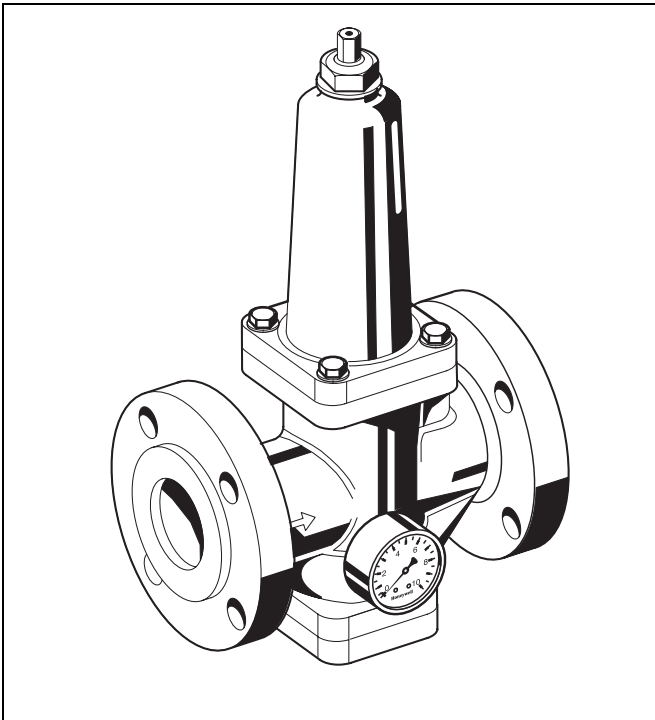


D17P

Pressure reducing valve with balanced seat Standard Pattern

Product specification sheet



Construction

The pressure reducing valve comprises:

- Housing with PN25 flanges to ISO 7005-2, EN 1092-2
- Spring bonnet with adjustment screw
- Adjustment spring
- Valve system complete with diaphragm
- Pressure gauge

Materials

- Spherulitic cast iron housing
- Cast iron spring bonnet
- Brass valve seat
- Brass piston guide
- Cone up to DN150: brass, DN200: steel
- Spring steel adjustment spring
- EPDM diaphragm
- NBR seal collar
- NBR seals
- Stainless steel screws and nuts

Application

Pressure reducing valves of this type protect installations against excessive pressure from the supply. They can be used for household, industrial or commercial applications within the range of their specification.

By installing a pressure reducing valve, pressurisation damage is avoided and water consumption is reduced.

The set pressure is also maintained constant, even when there is wide inlet pressure fluctuation.

Reduction of the operating pressure and maintaining it at a constant level minimizes flow noise in the installation.

Special Features

- Non-rising stem for setting outlet pressure and position indicator on spring bonnet (except for DN200)
- The adjustment spring is not in contact with the potable water
- With outlet pressure gauge
- Inlet pressure balancing - fluctuating inlet pressure does not influence outlet pressure
- Powder coated inside and outside - Powder used is physiologically and toxicologically safe
- Reliable and proven

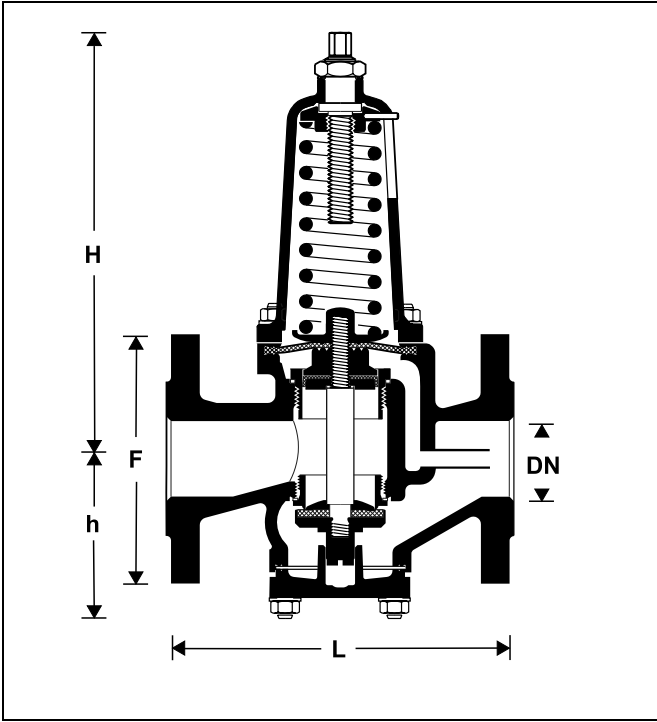
Range of Application

Medium	Water, compressed air* and nitrogen* in consideration of valid standards (e.g. DIN EN 12502)
Inlet pressure	max. 25.0 bar
Outlet pressure	1.5 - 8 bar - DN50 - 150 1.5 - 6 bar - DN200

Technical Data

Operating temperature	max. 70°C
Nominal pressure	PN25
Minimum pressure drop	1.0 bar
Diaphragm pressure loading	max. 9.0 bar
Nominal size	DN50 - DN200

*As part of an installation being approved according to PED requirements, this product must also be certified.



Method of Operation

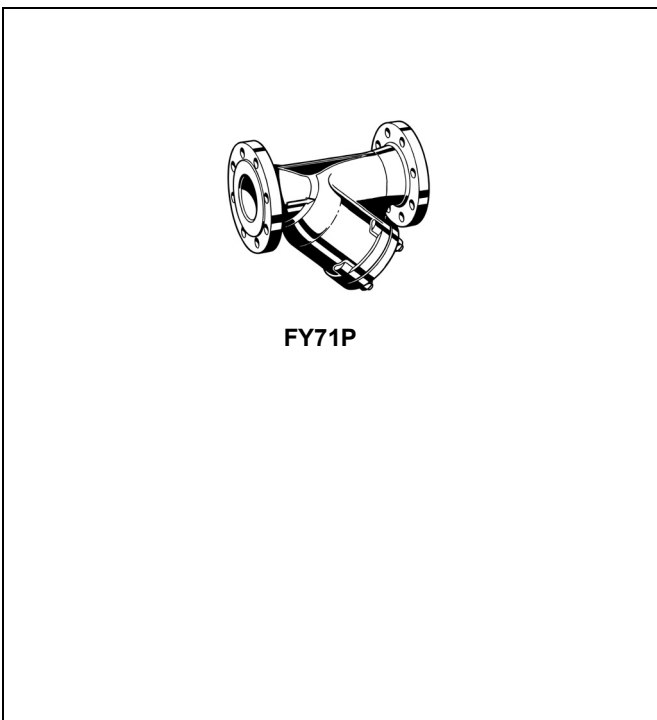
Spring loaded pressure reducing valves operate by means of a force equalising system. The force of a diaphragm operates against the force of an adjustment spring. If the outlet pressure and therefore diaphragm force fall because water is drawn, the then greater force of the spring causes the valve to open. The outlet pressure then increases until the forces between the diaphragm and the spring are equal again.

The inlet pressure has no influence in either opening or closing of the valve. Because of this, inlet pressure fluctuation does not influence the outlet pressure, thus providing inlet pressure balancing.

Options

D17P... B = With PN 25 flanged connections to DIN 2534 and BS 4504, spherulitic cast iron housing
 Special Versions available on request
 Connection size

Connection size	DN	50	65	80	100	150	200
Weight	kg	16.2	28.2	41.5	67	150	408
Dimensions	mm						
	L	230	290	310	350	480	600
	H	282	315	356	418	573	1340
	h	106	126	154	183	248	305
	F	165	185	200	235	300	360
k _{vs} -value	m ³ /h	28	47	70	110	250	380

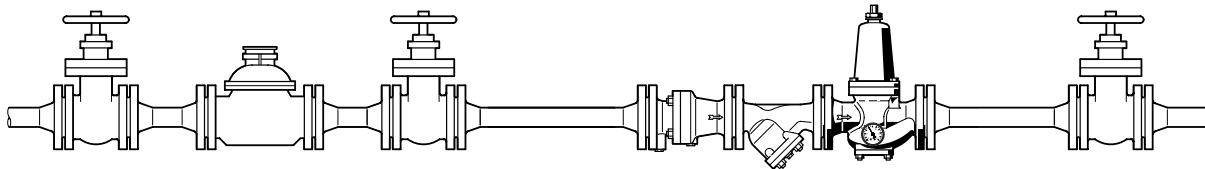


Accessories

FY71P Strainer

With double mesh, cast steel housing
 B = Mesh size approximately 0.5 mm

Installation Example



Connection size	DN	50	65	80	100	125	150	200
W*	mm	100	120	130	145	165	180	220

* Minimum distance from wall to centre line of pipework

Installation Guidelines

- Install in horizontal pipework with spring bonnet directed upwards
- Install shutoff valves
- The installation location should be protected against frost and be easily accessible
 - o Pressure gauge can be read off easily
 - o Simplified maintenance and cleaning
- Install downstream of the filter or strainer
 - o This position ensures optimum protection for the pressure reducing valve against dirt
- Provide a straight section of pipework of at least five times the nominal valve size after the pressure reducing valve (in accordance with DIN 1988, Part 5)

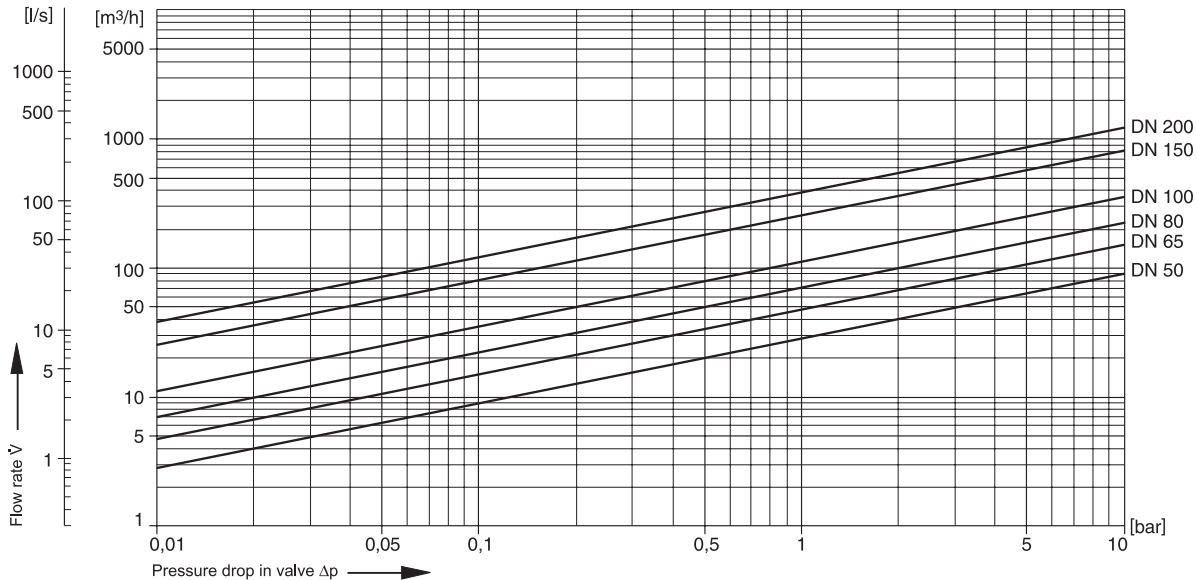
Typical Applications

Pressure reducing valves of this type are suitable for multi dwelling buildings, industrial and commercial applications within the range of their specifications.

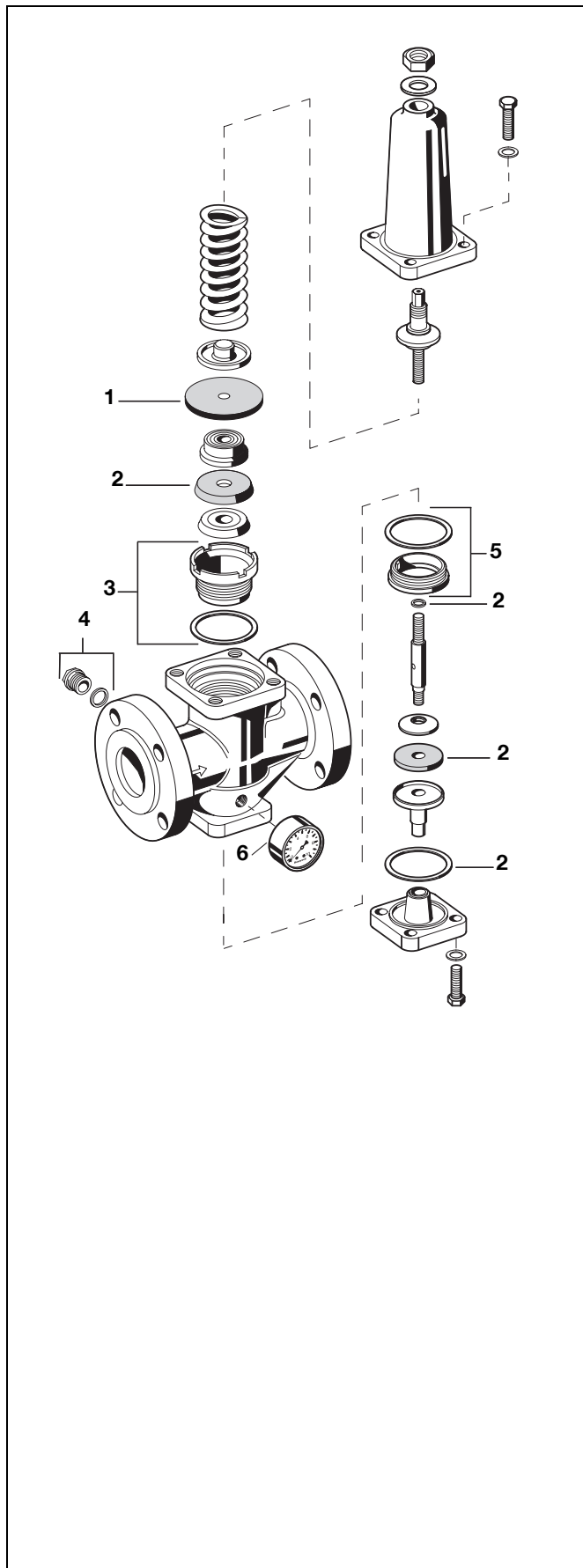
Pressure reducing valves should be installed:

- If the static pressure exceeds the maximum permissible value for the system
- If several pressure zones are required when a pressurisation system is used (pressure reducers on each storey of a building)
- If pressure fluctuations in the downstream system must be avoided
- To achieve constant inlet and outlet pressures on pumped pressure boosting systems
- To reduce the water consumption

Flow Diagram



EN0H-1009GE23 R0610 • Subject to change



Spare Parts

Pressure Reducing Valve D17P, from 2003 onwards

No.	Description	Dimension	Part No.
1	Diaphragm for D15P and D17P	DN 50	5707300
		DN 65	5707400
		DN 80	5707500
		DN 100	5707600
		DN 125	5707700
		DN 150	5707800
2	Set of seals	DN 200	5707900
		DN 50	0901353
		DN 65	0901354
		DN 80	0901355
		DN 100	0901356
		DN 125	0901357
3	Guide bush with seal	DN 150	0901358
		DN 200	0901359
		DN 50	0900255
		DN 65	0900256
		DN 80	0900257
		DN 100	0900258
4	Hexagon-plug with copper sealing-ring R ¹ / ₄ " (5 pcs.)	DN 125	0900259
		DN 150	0900260
		DN 200	0900261
		all	S06M-1/4
		5	Seat bush with seal
6	Pressure gauge Ranges 0 - 10 bar	DN 65	0900248
		DN 80	0900249
		DN 100	0900250
		DN 125	0900251
		DN 150	0900252
		DN 200	0900253

Automation and Control Solutions

Honeywell GmbH
 Hardhofweg
 D-74821 Mosbach
 Phone: (49) 6261 810
 Fax: (49) 6261 81309
<http://europe.hbc.honeywell.com>
www.honeywell.com

Manufactured for and on behalf of the
 Environmental and Combustion Controls Division
 of Honeywell Technologies Sàrl, Z.A. La Pièce 16,
 1180 Rolle, Switzerland by its Authorised Representative Honeywell GmbH

EN0H-1009GE23 R0610
 Subject to change without notice
 © 2010 Honeywell GmbH

Honeywell