

SANITARY PRESSURE REDUCING VALVE P-130

DESCRIPTION

The ADCA P-130 series **direct acting, spring-loaded diaphragm sensing**, pressure reducing valves are designed for use on compressed air, water and other gases or liquids compatible with the materials of construction.

MAIN FEATURES

Compact design.
Completely machined from barstock material, no castings or forgings are used on the standard version.
No rising stem

STANDARD SURFACE FINISH

Internal wetted parts: ≤ 0,5 micron Ra
External : ≤ 0,8 micron Ra
(0,25 micron Ra and electro polished as option)
Ultrasonic cleaning

OPTIONS:

Self relieving
Leakage line connection 1/8" (captured vent).
Panel mounting version (thread M45)
Gauge connection on body
Different soft valves for liquids and gases.
Casted cover (CF8M) with rising stem handwheel for economic reasons.
Special execution for steam.

USE:

Compressed air, water and other gases and liquids compatible with the construction.

AVAILABLE MODELS:

P-130

SIZES:

DN1/2" to DN 1" ; DN15 to DN25

OUTLET SPRING RANGES:

0,2 – 1,5 bar; 0,3 – 3 bar; 0,8 – 8 bar.

CONNECTIONS:

Clamp ends or others on request

PACKAGING:

Assembling and packaging in a clean room certified according to ISO 14644-1.
The product is end capped and vacuum sealed with recyclable plastic film to avoid contamination.

INSTALLATION:

Horizontal installation.

ORDER REQUIREMENTS:

Type of fluid
Maximum operating temperature
Inlet pressure and required outlet pressure
Capacity (maximum and minimum).

CE MARKING (PED - European Directive 97/23/EC)	
PN 16	Category
DN1/2" to DN 1"	SEP - art. 3, paragraph3



St.Steel hand wheel



Aluminium hand wheel

LIMITING CONDITIONS	
Valve model	P-130
Body design conditions	PN 16
Max.upstream pressure	16 bar
Max.downstream pressure	8 bar
Min.downstream pressure	0,2 bar
Max.design temperature *	150 °C

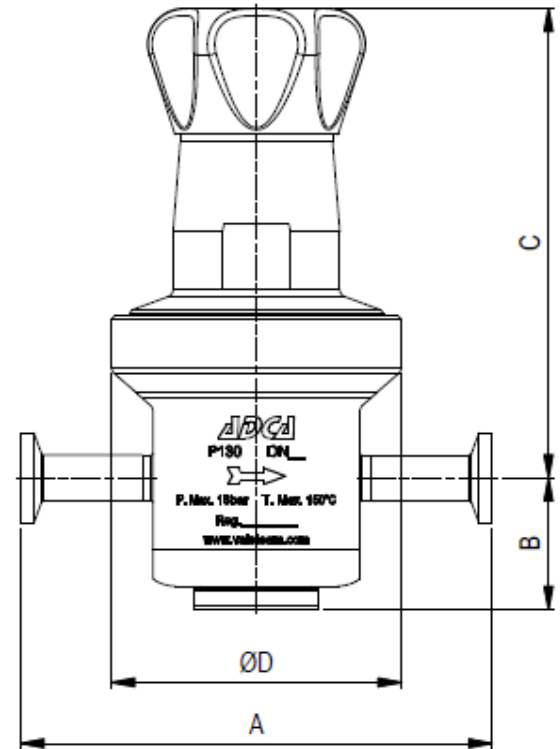
*Other on request.

DIMENSIONS (mm)							
SIZE DN	A ASME BPE	A ISO 1127	B	C	D	WGT. Kgs BPE	WGT. Kgs ISO
1/2" - 15	130	115	37	131	80	2,7	3,2
3/4" - 20	130	115	37	131	80	2,9	3,2
1" - 25	130	115	37	131	80	3,3	3,3

Valves with aluminium hand wheel weights less 0,24 kgs
 Different dimensions and standards on request.
 Consult factory for certified dimensions and weights.

CAPACITIES			
Valve Size	1/2" - 15	3/4" - 20	1" - 25
KVs (m3/h)	3	3,2	3,3

Reduced Kv on request



MATERIALS		
POS.	DESIGNATION	MATERIAL
1	Valve body	AISI316L / 1.4406
2	Cover	AISI316L / 1.4404
3	Seat cover	AISI316L / 1.4404
4	* O-ring	Viton / EPDM
5	*Piston	AISI316L / 1.4404
6	* Valve head	AISI316L / 1.4404 ; Viton ,PTFE
7	* Valve spring	AISI302 / 1.4300 (Polished)
9	Pusher disc	AISI 316L / 1.4404
10	* Lower diaphragm	PTFE
11	* Upper diaphragm	EPDM
12	Washer	AISI304 / 1.4301
13	Spring plate	AISI304 / 1.4301
14	Nut	St.steel A2-70
15	* Adjustment spring	AISI302 / 1.4300
16	Spring plate	AISI304 / 1.4301
17	Adjustment screw	AISI304 / 1.4301
18	Retaining washer	St.steel A2-70
19	Handwheel	AISI316L / 1.4404
19	Handwheel	Aluminium white painted
20	O-ring	EPDM
21	** O-ring	EPDM
22	Bearing	Corrosion res. Steel
23	Ext.bowed shaft ring	Stainless steel
24	Cover nut	Plastic
25	Captured vent ring	AISI 316L / 1.4404

* Available spare parts. ** On request

Remarks: FDA/USP Class VI seals certificate on request
 All valves have a serial number. In case of non-standard valves this number must be supplied if spare parts are ordered.

