

## 2 PIECES BALL VALVE PN63 WITH EXHAUST HOLE



PED 2014/68/EU



Certificate 3.1

**Size :** DN 1/4" to 1"  
**Ends :** Threaded BSP ( ISO 228-1 )  
**Min Temperature :** - 20°C  
**Max Temperature :** + 180°C  
**Max Pressure :** 63 Bars ( up to DN3/4" )  
**Specifications :** Anti blow-out stem  
Locking device  
Full bore

**Materials :** Stainless steel ASTM A351 CF8M

## 2 PIECES BALL VALVE PN63 WITH EXHAUST HOLE

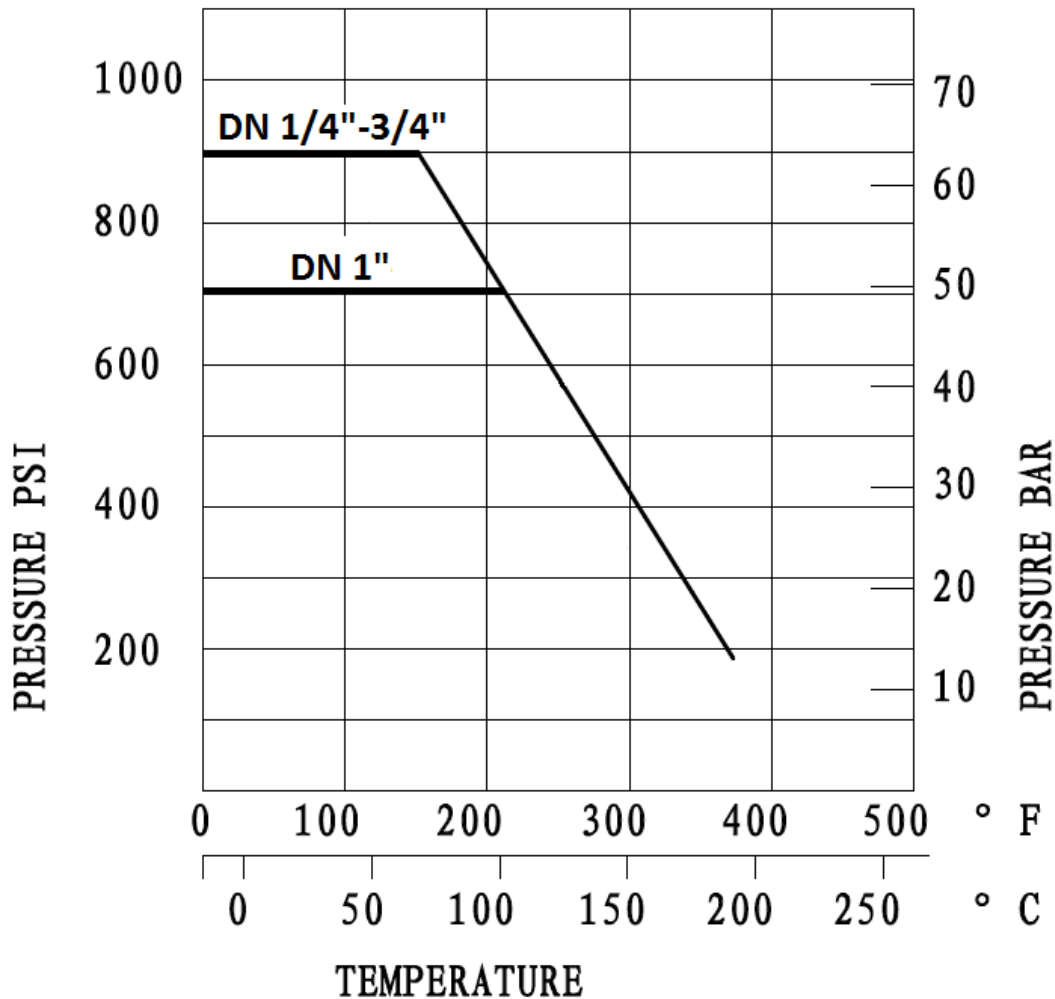
### SPECIFICATIONS :

- Full bore
- Anti blow-out stem
- PTFE packing
- PTFE seat
- Locking device
- Solid ball
- 2 pieces type
- With exhaust hole

### USE :

- Chemical and pharmaceutical industries, petrochemical industries, hydraulic installation, compressed air
- Min and max Temperature Ts : -20°C to + 180°C
- Max Pressure Ps : 63 bars up to DN3/4", 50 bars for DN 1" ( see graph )
- Max pressure 8 bars with compressed air

### PRESSURE / TEMPERATURE GRAPH ( STEAM EXCLUDED ) :



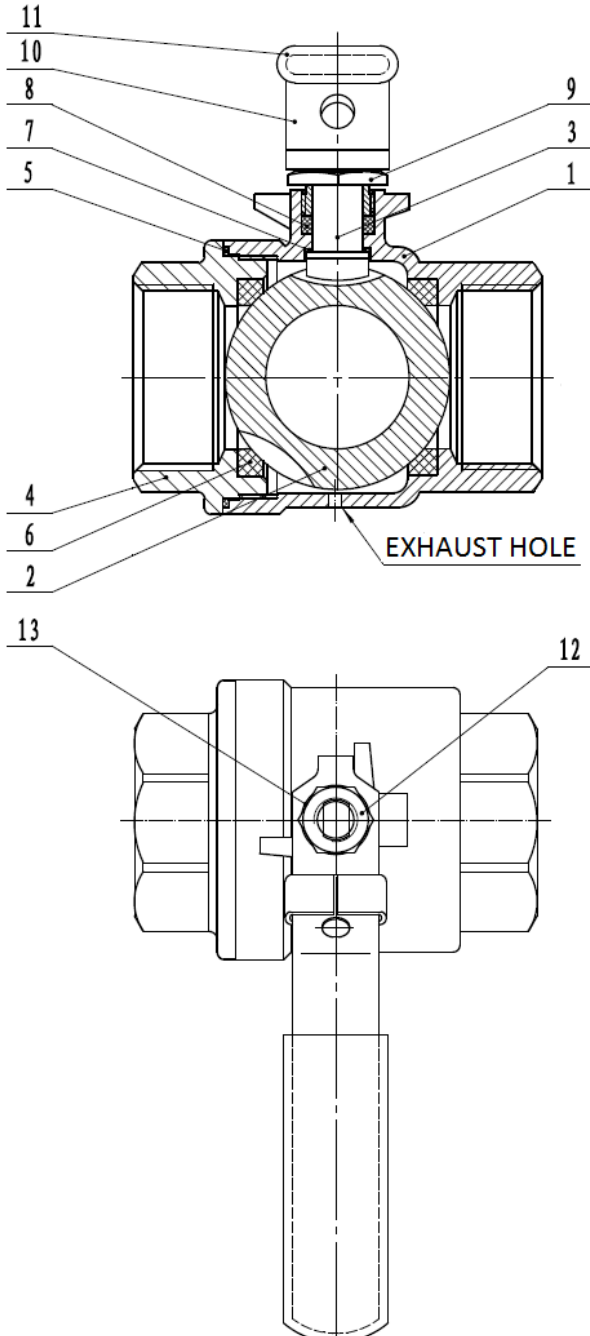
## 2 PIECES BALL VALVE PN63 WITH EXHAUST HOLE

**RANGE :**



- Ball valve female / female threaded BSP Stainless steel blue handle with exhaust hole  
Ref. 7152 from DN 1/4" to DN 1"

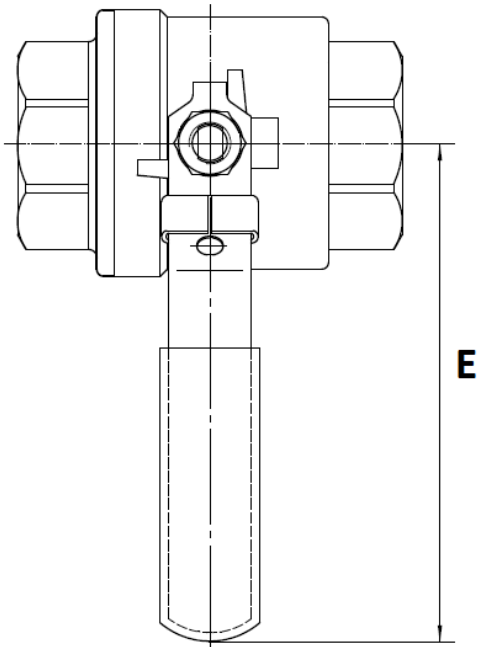
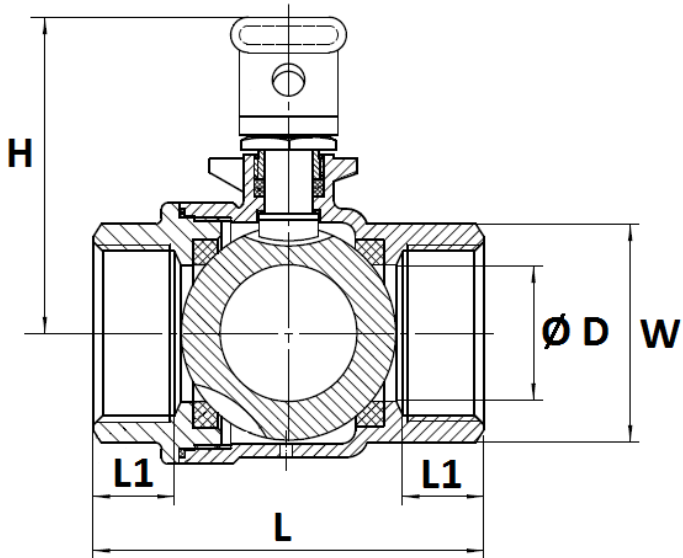
**MATERIALS :**



Item	Designation	Materials
1	Body	ASTM A351 CF8M
2	Ball	ASTM A351 CF8M
3	Stem	AISI 316
4	Ends	ASTM A351 CF8M
5	Body seal	PTFE
6	Seat	
7	Stem gasket	
8	Packing	
9	Packing nut	AISI 304
10	Handle	AISI 304
11	Handle cover	Plastic
12	Handle nut	AISI 304
13	Handle washer	AISI 304

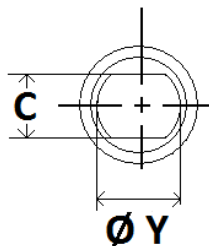
## 2 PIECES BALL VALVE PN63 WITH EXHAUST HOLE

**SIZE ( in mm ) :**



DN	1/4"	3/8"	1/2"	3/4"	1"
Ø D	10.8	12.5	15	20	25
L	51	51	57.5	65	78.5
E	104	104	104	128	128
H	48	48	46	59	63
L1	11	11	13	14	18
W on flat	22	22	25.5	31	38.5
C	5	5	5	5.8	5.8
Ø Y	8	8	8	8	8
Weight (Kg)	0.17	0.21	0.25	0.38	0.59

**Stem size :**



## 2 PIECES BALL VALVE PN63 WITH EXHAUST HOLE

### TORQUE VALUES ( in Nm without safety coefficient ) :

DN	1/4"	3/8"	1/2"	3/4"	1"
Torque (Nm)	3	4	6	8	10

### FLOW COEFFICIENT Kvs ( M3 / h ) :

DN	1/4"	3/8"	1/2"	3/4"	1"
Kvs ( m3/h )	6.6	7.9	11.2	21	35

### STANDARDS :

- Fabrication according to ISO 9001 : 2008
- DIRECTIVE 2014/68/EU : CE N° 0036  
Risk Category III Module H
- Certificate 3.1 on request
- Pressure Tests according to EN 12266-1, rate A
- Threaded BSP cylindrical ends according to ISO 228-1

# **2 PIECES BALL VALVE PN63 WITH EXHAUST HOLE**

## **INSTALLATION AND MAINTENANCE**

### **BEFORE INSTALLATION :**

Pipe-line must be cleaned and free from residual of weldings, rubbish, shaving and every kind of extraneous materials.  
Pipe-line must be perfectly aligned and their support properly dimensioned so that there's no external constraint.

Please use the right product according to the services conditions to seal the valve.  
Use the right bolt tightening so that the ends won't be damaged.

### **CLEANING AND TESTS**

Keep closed the valves during the cleaning operation so that there's no impurities between the ball and the body.

Tests under pressure must be done with a cleaned pipe-line.

Open partially the valve for tests. Pressure test do not exceed the valve specifications according to EN 12266-1.

### **MAINTENANCE**

It's recommended to operate the valve twice ( open and close ) 1 to 2 times per year.

When intervention on the valve, be sure there's no pressure in the pipe-line, there's no fluid in it, and that it is isolated.  
The temperature must be low enough to operate without risks.  
If there's a corrosive fluid, inert installation before intervention.

### **When the valve is under pressure :**

If there's a leakage at the packing, tighten it slightly so that the leakage disappears.