

DUCTILE IRON GLOBE VALVE WITH BELLOW PN16/25



ISO 9001

BUREAU VERITAS
Certification



CE

PG

Size : DN 15 to DN 200
Ends : Flanges R.F. PN16/25
Min Temperature : - 10°C
Max Temperature : + 350°C
Max Pressure : 25 Bars up to DN50 (16 bars over)
Specifications : Non rising stem
Bolted bonnet and gland pack
Stainless steel bellow

Materials : Ductile iron body

DUCTILE IRON GLOBE VALVE WITH BELLOW PN16/25

SPECIFICATIONS :

- Respect the flow direction indicated by the arrow
- Non rising stem
- Bolted bonnet and gland pack
- Stainless steel bellow
- Pressed seat in the body
- Anti-turn device to avoid the risk of torsion of bellows
- Flanges R.F. PN25 up to DN50, PN16 over
- RAL 9006 grey painting, 15µm thickness

USE :

- Common fluids of 2nd group , steam , thermic fluid
- Min and Max Temperature Ts : - 10°C to + 350°C
- Max Pressure Ps : 25 bars up to DN50, 16 over (see graph)
- Keep greased the stem
- **Steam : 10 bars max**

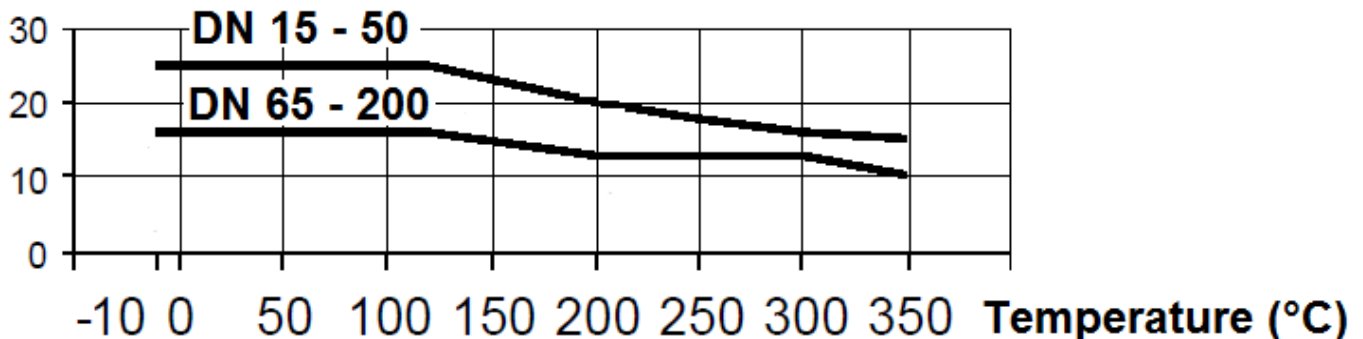
FLOW COEFFICIENT Kvs (M3 / h) :

DN	15	20	25	32	40	50	65	80	100	125	150	200
Kvs (m3/h)	3.8	7	10	19	35	43	60	110	146	210	300	670

PRESSURE / TEMPERATURE GRAPH :

Pressure

(Bar)

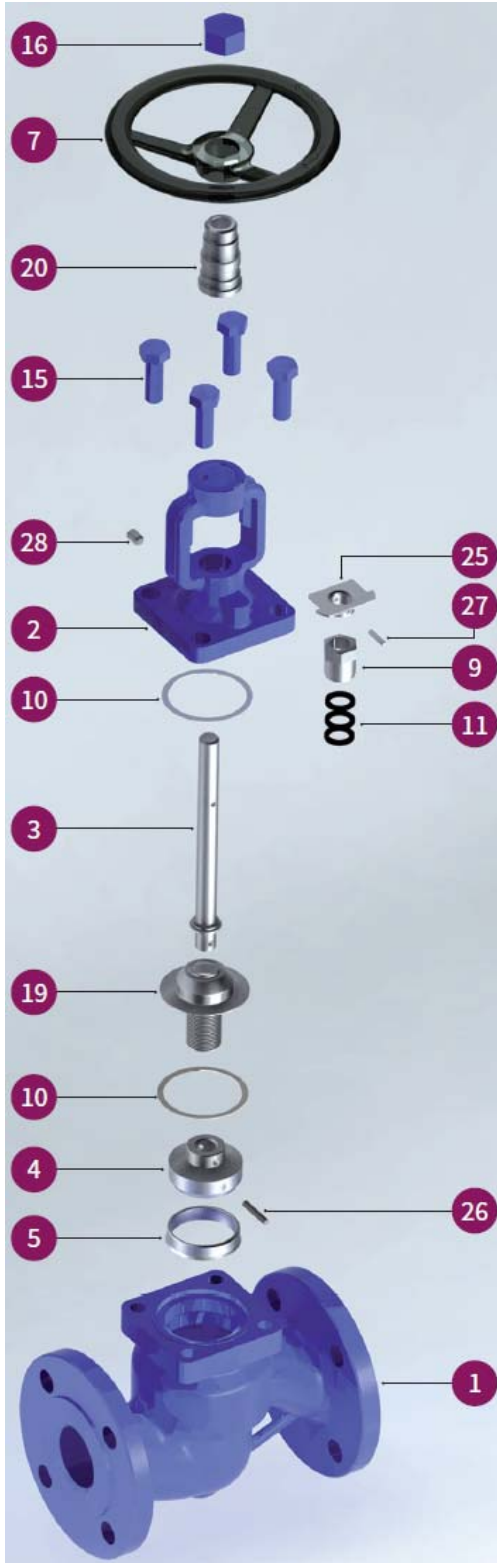


RANGE :

- Ductile iron globe valve with stainless steel bellow flanged R.F. PN25 up to DN50, PN16 over **Ref. 476** DN 15 to DN 200

DUCTILE IRON GLOBE VALVE WITH BELLOW PN16/25

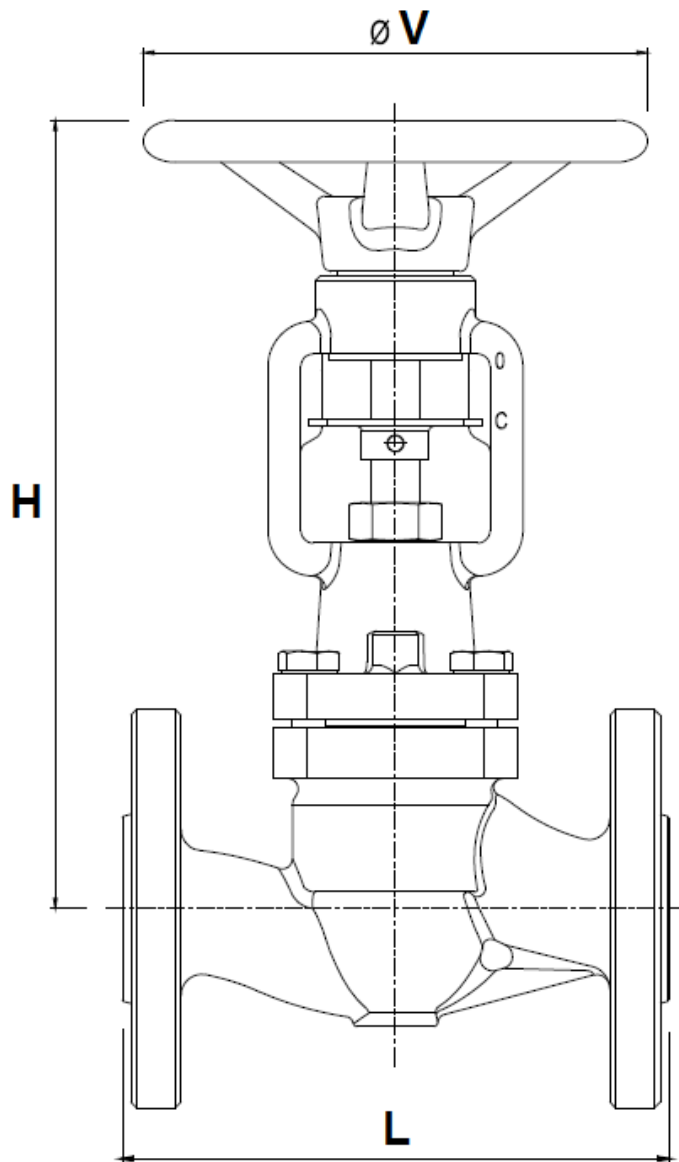
MATERIALS :



Item	Designation	Materials
1	Body	Ductile iron EN GJS-400-18
2	Bonnet	Ductile iron EN GJS-400-18
3	Stem	SS 303 (1.4305)
4	Disc	SS 420 (1.4021)
5	Seat	X 22 CrNi 17 (1.4059)
7	Handwheel	Ductile iron EN GJS-400
9	Gland	EN 10087
10	Gasket	Graphite
11	Packing	Graphite
15	Screw	8.8
16	Handwheel nut	EN 10087
19	Bellow	SS 316 Ti (1.4571)
20	Threaded bushing	EN 10087
25	Anti turn device	EN 10025
26	Pin	SS 304
27	Pin	SS 304
28	Lubricator	-

DUCTILE IRON GLOBE VALVE WITH BELLOW PN16/25

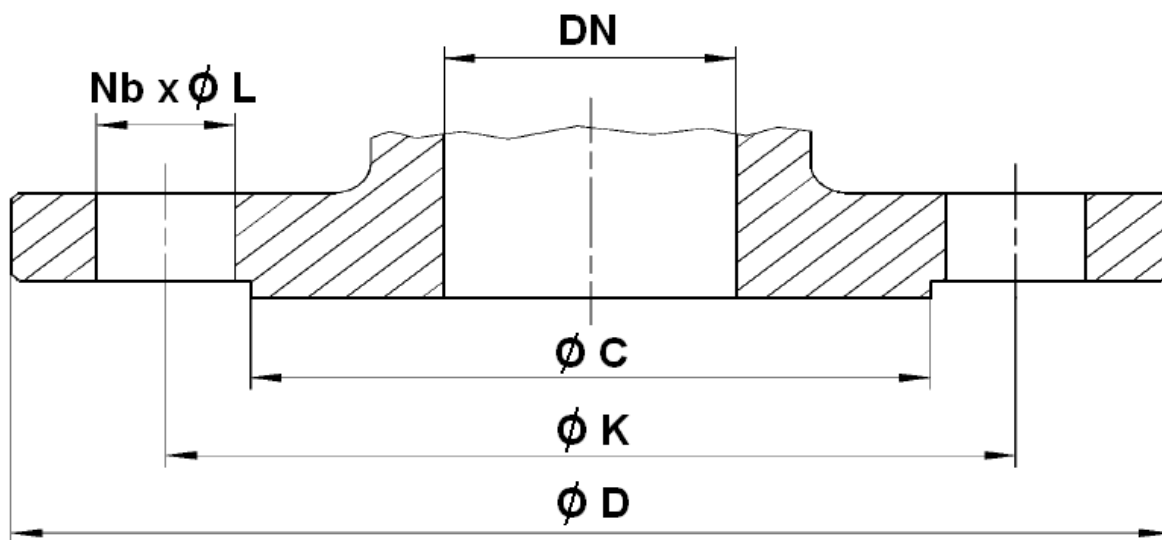
SIZE (in mm) :



Ref.	DN	15	20	25	32	40	50	65	80	100	125	150	200
476	L	130	150	160	180	200	230	290	310	350	400	480	600
	H	190	195	220	219	254	265	328	341	376	488	531	663
	Ø V	140	140	140	140	180	180	200	200	250	330	330	400
	Weight (Kg)	3.2	4.4	4.8	6.3	11	13	21.3	26.4	40	53.5	84	157

DUCTILE IRON GLOBE VALVE WITH BELLOW PN16/25

FLANGES SIZE (in mm) :



Ref.	DN	15	20	25	32	40	50	65	80	100	125	150	200
476	Ø C	46	56	65	76	84	99	118	132	156	184	211	266
	Ø D	95	105	115	140	150	165	185	200	220	250	285	340
	Ø K	65	75	85	100	110	125	145	160	180	210	240	295
	Nb x Ø L	4 x 14	4 x 14	4 x 14	4 x 19	4 x 19	4 x 19	4 x 19	8 x 19	8 x 19	8 x 19	8 x 23	12 x 23

DUCTILE IRON GLOBE VALVE WITH BELLOW PN16/25

STANDARDS :

- Fabrication according to ISO 9001 : 2008
- Designing according to DIN 3840
- Marking according to EN 19
- DIRECTIVE 97/23/CE : CE N° 0035
Risk category III Module H
- Pressure Tests according to EN 12266-1, range A
- Length according to EN 558 series 1 (DIN 3202 F1)
- Flanges R.F. according to EN 1092-2 PN16-PN25
- Approval certificate Russian Federation **GOST-R**

ADVICE : Our opinion and our advice are not guaranteed and SFERACO shall not be liable for the consequences of damages.
The customer must check the right choice of the products with the real service conditions.

DUCTILE IRON GLOBE VALVE WITH BELLOW PN16/25

INSTALLATION INSTRUCTIONS

GENERAL GUIDELINES :

- Ensure that the valves to be used are appropriate for the conditions of the installation (type of fluid, pressure and temperature).
- Be sure to have enough valves to be able to isolate the sections of piping as well as the appropriate equipment for maintenance and repair.
- Ensure that the valves to be installed are of correct strength to be able to support the capacity of their usage.
- **Installation of all circuits should ensure that their function can be automatically tested on a regular basis (at least two times a year).**

INSTALLATION INSTRUCTIONS :

- **Before installing the valves, clean and remove any objects from the pipes** (in particular bits of sealing and metal) which could obstruct and block the valves.
- **Ensure that both connecting pipes either side of the valve (upstream and downstream) are aligned (if they're not, the valves may not work correctly).**
- **Make sure that the two sections of the pipe (upstream and downstream) match, the valve unit will not absorb any gaps. Any distortions in the pipes may affect the tightness of the connection, the working of the valve and can even cause a rupture.** To be sure, place the kit in position to ensure the assembling will work.
- **If sections of piping do not have their final support in place, they should be temporarily fixed. This is to avoid unnecessary strain on the valve.**
- Tighten the bolts in cross.
- It's recommended to operate the valve (open and close) 1 to 2 times per year
- Tighten the gland packing at the first start of the installation (with a moderate torque) so that there's no leakage and the handwheel is easy to operate.
- Do not use tools to operate the handwheel
- Respect the flow direction indicated by the arrow