

# KNIFE GATE-VALVE WITH REGADA ELECTRIC ACTUATOR

## MAIN CHARACTERISTICS

The S-GATE knife gate valve fitted with the REGADA electric actuator is dedicated to the automatic shut-off of line and tanks of heavy fluids, slurries and powders. Standard applications for these valves are water treatment, pulp and paper industry, cement industry, bulk handling and food industry. The REGADA electric actuator is IP67 tight. It makes it possible to install the valve assembly outdoor. This actuator has a declutchable manual override, 2 torque limiters, 4 limits switches and an anti-condensation heating resistor. The movement of the knife is protected by side covers.

## AVAILABLE MODELS

S-GATE 170 : cast iron body, stainless steel gate, NBR or metal seat

S-GATE 172 : stainless steel body and gate, EPDM seat

Sizes 50 to 300, fitting with flanges EN 1092 PN10

230V AC power supply

IP 67



## LIMITS OF USE

<b>Pressure of fluid : PS</b>	sizes 50 à 200	10 bar
	size 250	8 bar
	size 300	6 bar
<b>Temperature of fluid : TS</b>	See below	
<b>Ambient temperature</b>	-25°C / +55°C	
<b>Duty rating</b>	S4-25% / 10 cycles per h.	

Seat	SGATE-170 with standard packing	S-GATE 170 with HT graphite packing	S-GATE 172 ss with HT graphite packing
<b>NBR</b>	80°C	-	-
<b>EPDM</b>	100°C	-	-
<b>FPM</b>	100°C	150°C	-
<b>PTFE</b>	100°C	180°C	-
<b>METAL</b>	100°C	200°C	425°C

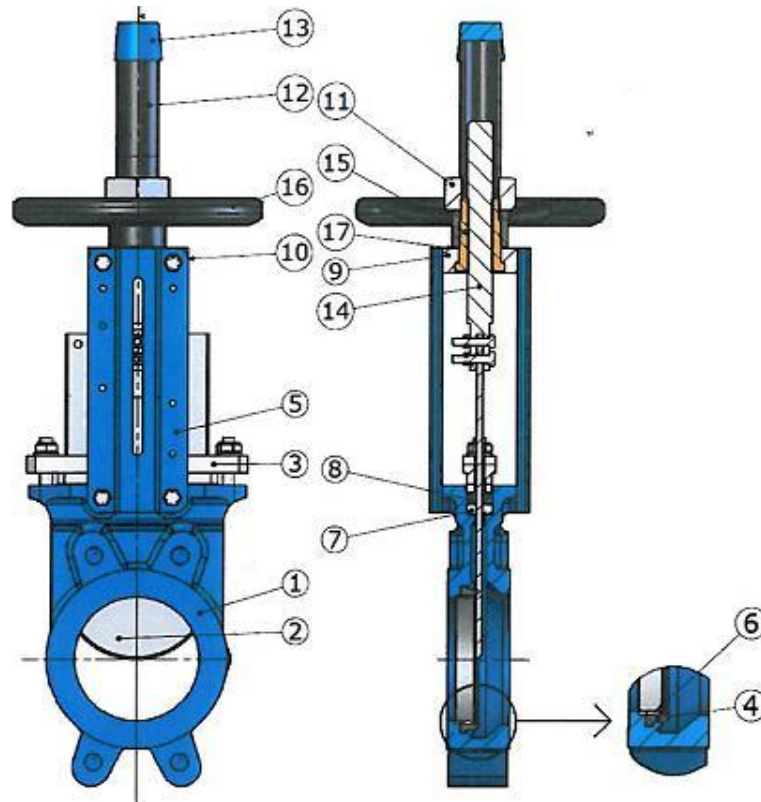


# KNIFE GATE-VALVE WITH REGADA ELECTRIC ACTUATOR

## STANDARDS OF CONSTRUCTION

	Standard		Standard
P.ED. CE 97/23	Category I module A	Actuator connection	ISO 5211
Flanges dimensions	EN 1092-2	Final testing	EN 12266-1

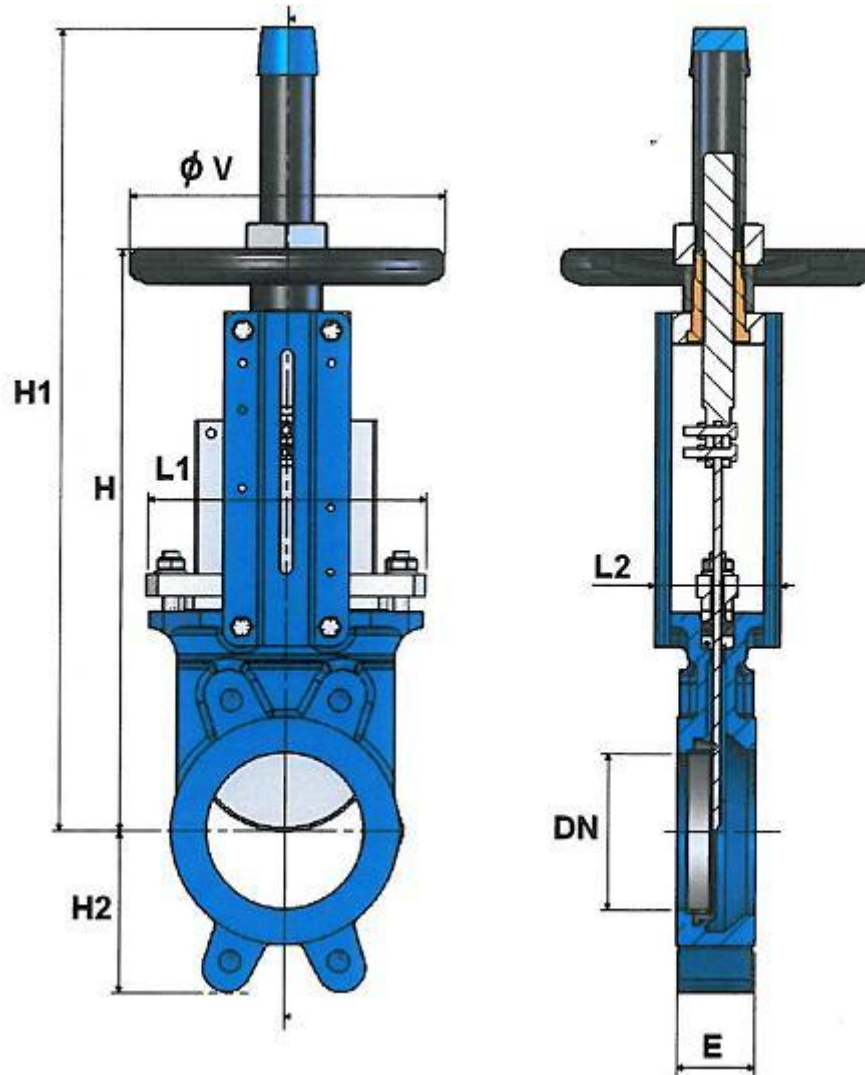
## CONSTRUCTION



N°	Item	S-170 CAST IRON	S-172 STAINLESS STEEL
1	Body	EN-GJL 250 cast iron	1.4408 stainless steel
2	Gate	AISI 304 stainless steel	AISI 316 stainless steel
3	Packing gland DN50-200	Aluminium	1.4408 stainless steel
3	Packing gland DN250-300	EN-GJL 250 cast iron	1.4408 stainless steel
4	Seat	NBR	NBR
5	Yoke	Epoxy coated carbon steel	Epoxy coated carbon steel
6	Seat retainer	AISI 304 stainless steel	AISI 316 stainless steel
7	Packing	PTFE	PTFE
8	O-ring	NBR	EPDM
9	Yoke	carbon steel	carbon steel
10	Grease box	carbon steel	carbon steel
11	Handwheel nut	carbon steel	carbon steel
12	Stem cap	carbon steel	carbon steel
13	Cap	Plastic	Plastic
12	Side covers	Epoxy coated carbon steel	Epoxy coated carbon steel
14	Stem	AISI 303 stainless steel	AISI 303 stainless steel
15	Stem nut	Bronze	Bronze
16	Handwheel	carbon steel	carbon steel
17	Friction washer	Brass	Brass

# KNIFE GATE-VALVE WITH REGADA ELECTRIC ACTUATOR

## DIMENSIONS (mm)



Size	50	65	80	100	125	150	200	250	300
E	40	40	50	50	50	60	60	70	70
H	289	316	342	382	415	458	575	676	776
H1	409	436	462	502	585	637	815	1016	1116
H2	63	70	92	105	120	130	160	198	234
L1	124	139	154	174	192	217	270	326	380
L2	92	92	92	92	102	102	119	119	119
V	185	185	185	185	225	225	325	325	380
170 -Wg (kg)	6,5	7,1	8,5	9,8	12,7	16,1	26,8	43,5	57,5
172 -Wg (kg)	6,5	7,8	8,5	10	12,7	15,8	27,8	44,6	58,6

# KNIFE GATE-VALVE WITH REGADA ELECTRIC ACTUATOR

## ACTUATION WITH REGADA

The actuation with REGADA is offered with following characteristics:

- IP 67 actuator with aluminium epoxy coated housing and carbon steel gearbox ,
- max. upstream / downstream pressure differential  $\Delta P=10$  bar.
- direct connection between valve and actuator following ISO 5211 - F10

The operators are protected from the movement of the gate through side covers.

Size	Actuator	Power (W)	I (A)	Resistancy (W)	Elec. Connect.	Speed	Operating time (s)*	Standard equipment
50	SO2	60	1,3	20 W	2x M20x1,5	20 tr. min.	39 s	2 adjustable limits switches 2 dry auxiliary switches. 2 torque limiters. Heating resistor. Position indicator. Declutchable manual override. ISO 5211 – F10 connection
65							48 s	
80							60 s	
100							75 s	
125							93 s	
150							114 s	
200	MO3	370	1	35 W	3x M25x1,5	40 tr. min.	60 s	
250							75 s	
300							90 s	

For any other working conditions, please consult.

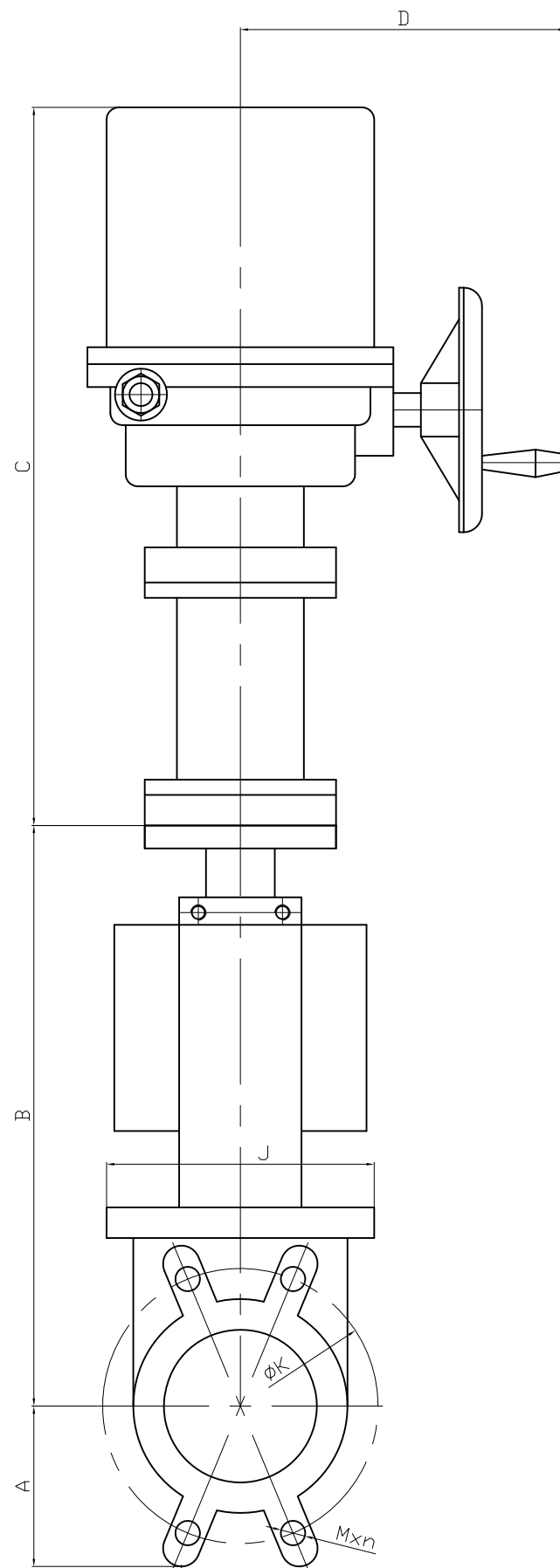
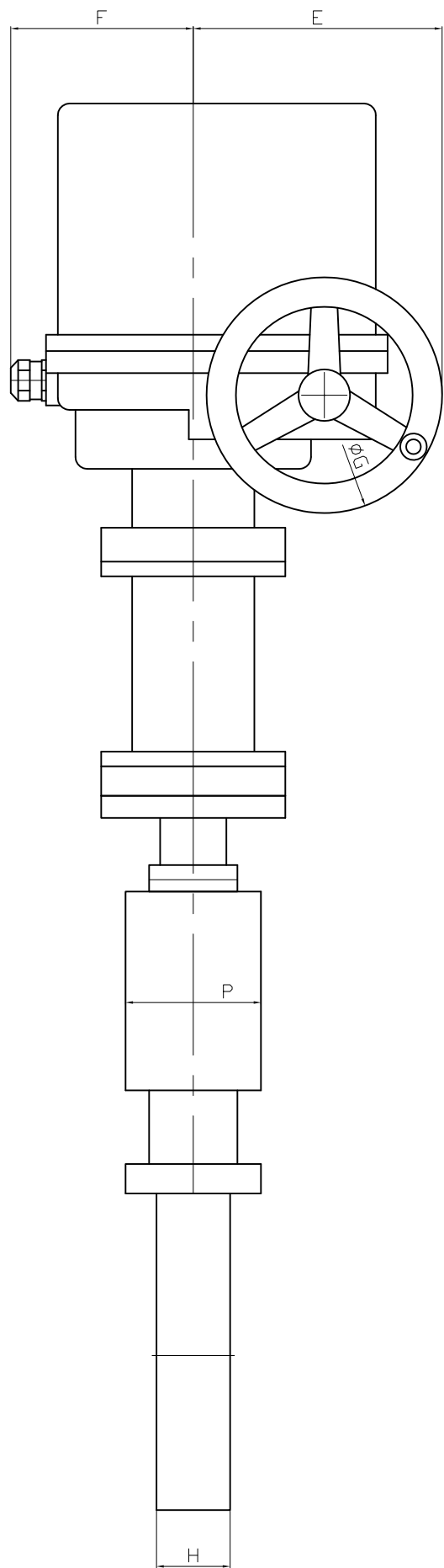
\*indicative operating time without pressure

## OPTIONS FOR THE ACTUATOR

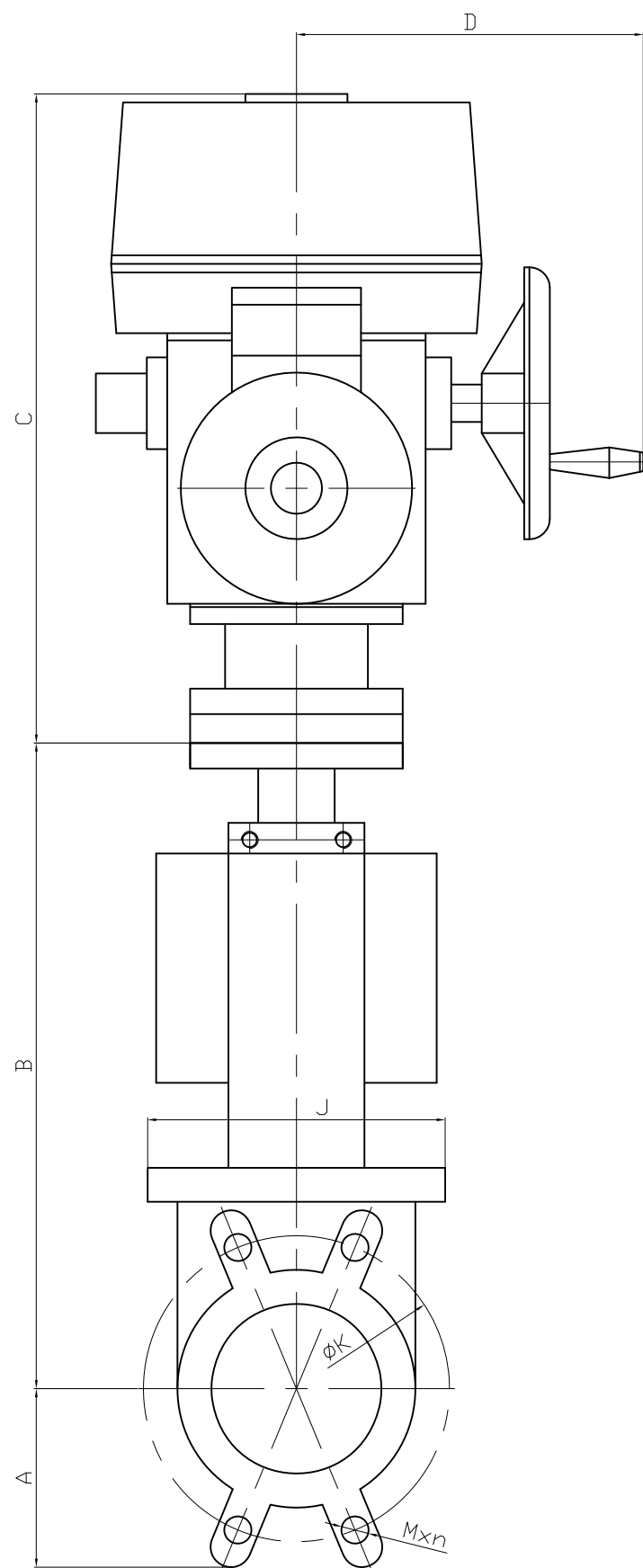
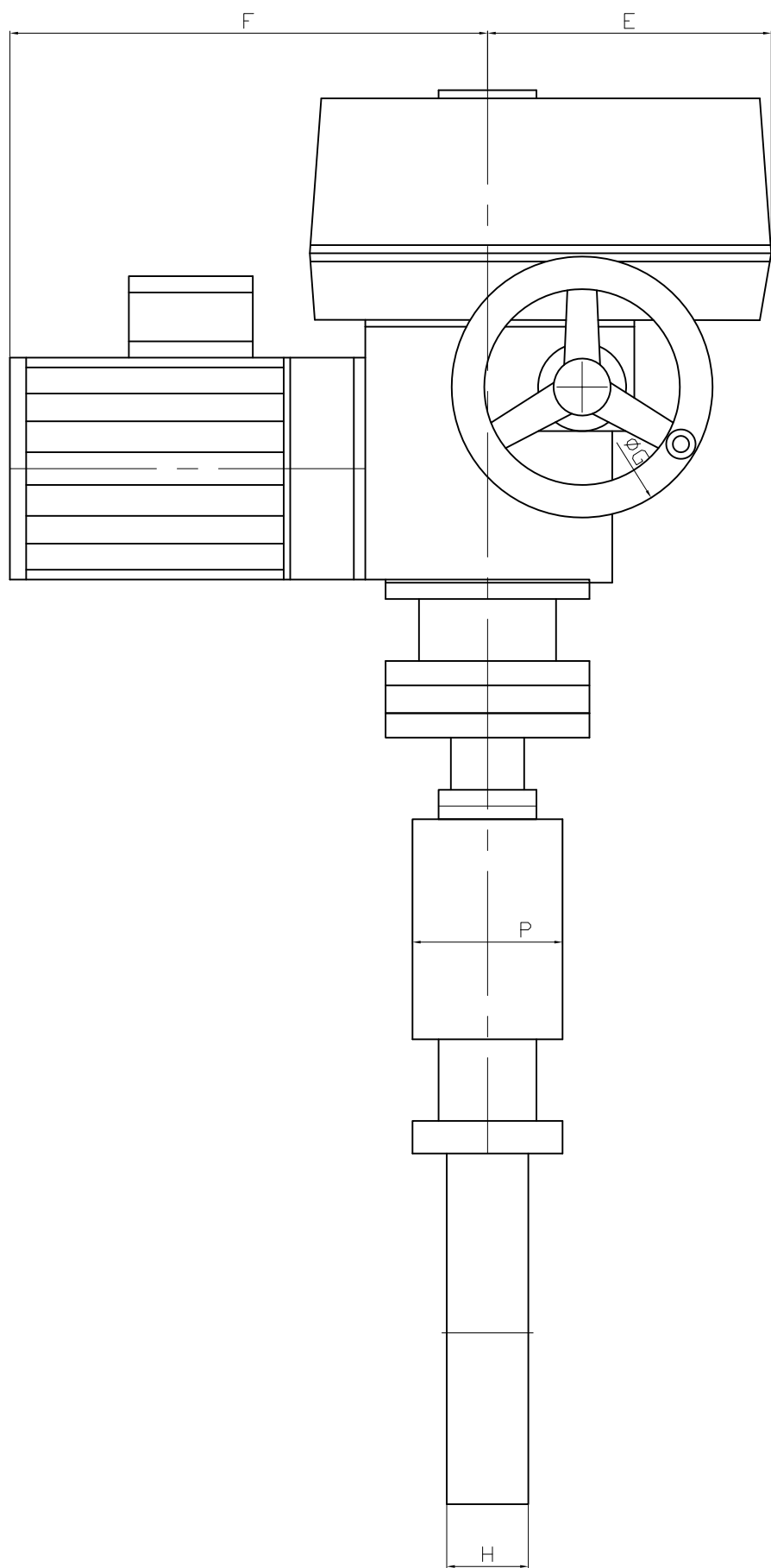
n°	
1	Three-phase 400V, 24 V AC et 24 V DC ( SO2 only)
2	Actuator for low temperature -50°C
3	Feedback potentiometer

## OPTIONS FOR THE VALVE

n°	
1	NBR, EPDM, PTFE, FKM seats
2	HT graphited packing
3	Flow deflector



DN	50	65	80	100	125	150
MOTEUR	SØ2	SØ2	SØ2	SØ2	SØ2	SØ2
A	63	70	92	105	120	130
B	287	312	332	380	410	461
C	470	470	470	470	470	470
D	201	201	201	201	201	201
E	172	172	172	172	172	172
F	125	125	125	125	125	125
ØG	160	160	160	160	160	160
H	40	40	50	50	50	60
J	124	139	154	174	192	217
ØK	125	145	160	180	210	240
Mxn	M16x4	M16x4	M16x4	M16x4	M16x4	M20x4
P	92	92	92	92	102	102
KG FONTE	18.5	19.1	20.5	21.8	24.7	28.1
KG INOX	18.5	19.8	20.5	22	24.7	27.8



DN	200	250	300
MOTEUR	M03	M03	M03
A	160	198	234
B	567	667	780
C	302	302	302
D	188	188	188
E	174	174	174
F	306	306	306
ØG	160	160	200
H	60	70	70
J	270	326	380
ØK	295	350	400
Mxn	M20x4	M20x8	M20x8
P	120	120	120
KG FONTE	53.8	70.5	84.5
KG INOX	54.8	71.6	85.6