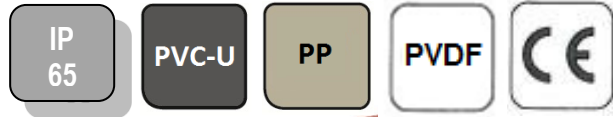


# C110 VALVE WITH UM ELECTRIC ACTUATOR

## FEATURES

The C110 Ball-valve is a 2-way wafer full-bore valve intended for current valve applications. This PN10 valve is used to isolate low-pressure water, acid or alkaline fluid networks. The valve has an ISO 5211 mounting pad for mounting an UM actuator. The latter is suitable for S4-type service factor, installed indoors or outdoors under shelter.

(\*Cf. Sectoriel's table of resistance of materials)



## AVAILABLE VERSIONS

PVC-U, PP or PVDF body.

EPDM or FPM gaskets, PTFE seats.

DN65 to DN150 diameters.

WAFER between flanges EN1092-1 PN10 connection.

NO/NC double- or simple-effect actuator.

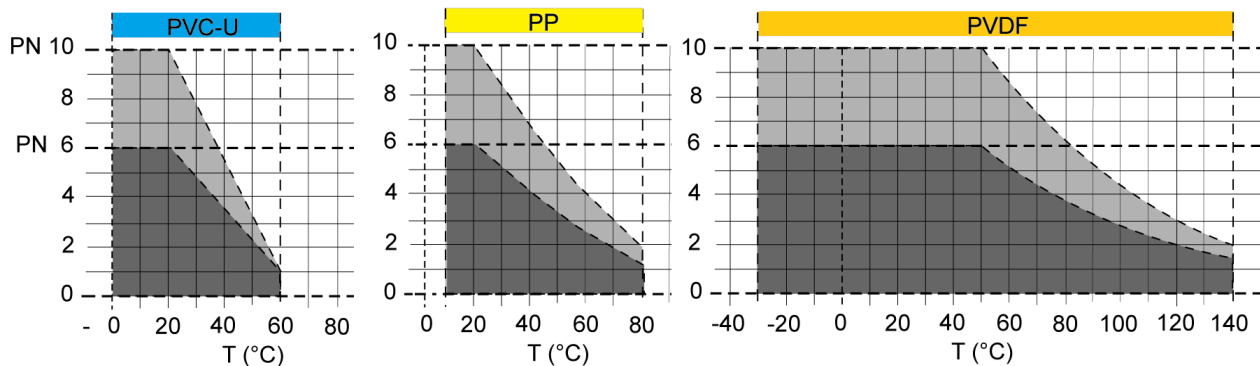
Option: Female end or rotating flange connection.

DN125 rotating flange connection.



## LIMITS OF USE

Fluid pressure: WP	10 bar up to DN 100
	6 bar beyond
Fluid temperature: WT°	See curves
Ambient temperature	0°C to +60°C
Service factor	S4 – 30% - 10 starts/h



## DIRECTIVES AND MANUFACTURING STANDARDS

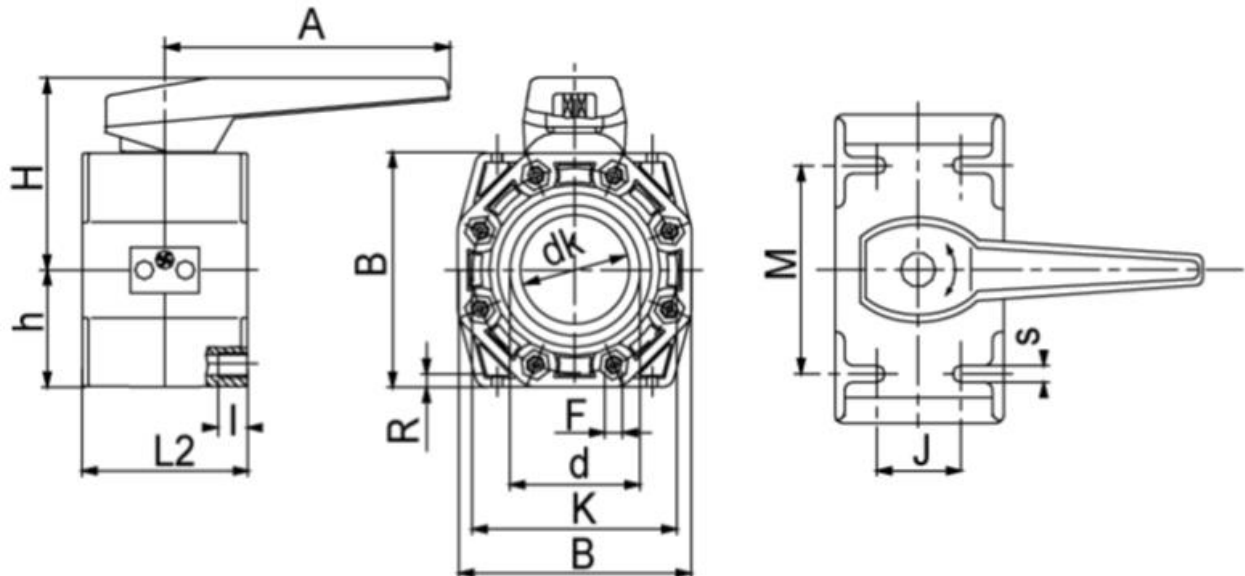
	Standard			Standard
Pressure Equipment Directive 97/23/EC	DN65 to 150	Category I	Connection Motorisation	ISO 5211:
Connection between flanges	EN 1092-1			
Final test	EN 12266			

# C110 VALVE WITH UM ELECTRIC ACTUATOR

## DIMENSIONS (mm)

PVC-U / PP												
DN	d	A	dk	K	B	h	H	L2	M	J	F	I
65	70	210	64	145	169	84.5	142	112	111	60	M16	20
80	90	210	77	160	186	93	150	124	124	60	M16	20
100	110	260	94	180	206	103	165	145	137	80	M16	20
150	160	310	135	240	273	136.5	210	205	179	130	M20	30

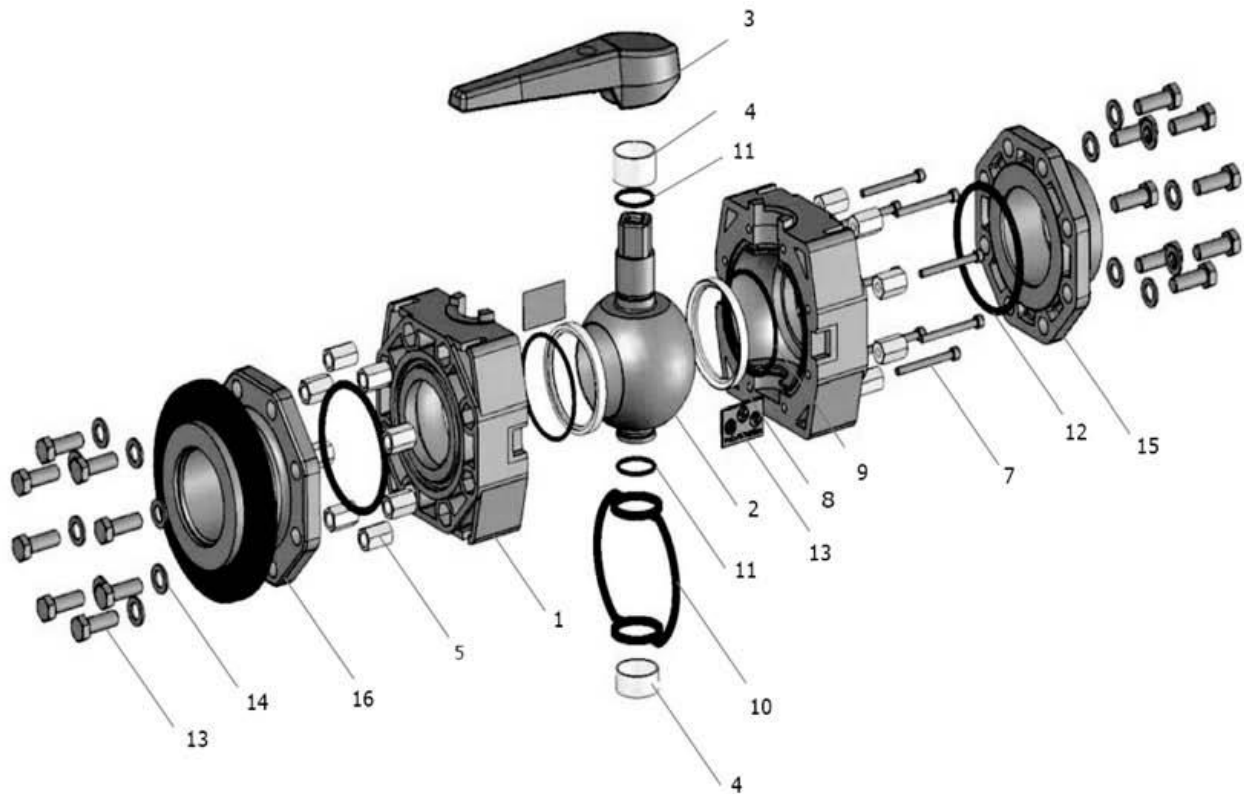
PVDF												
DN	d	A	dk	K	B	h	H	L2	M	J	F	I
65	70	210	64	145	168	84	140	112	111	57	M16	20
80	90	210	77	160	182	91	148	123	122	57	M16	20
100	110	260	94	180	202	101	163	140	133	76	M16	20
150	160	310	135	240	264	132	206	197	175	124	M20	30



# C110 VALVE WITH UM ELECTRIC ACTUATOR

## CONSTRUCTION

N°	Item	Material			N°	Item	Material		
1	Body	PVC-U	PP	PVDF	10	Gaskets	EPDM/FPM		
2	Ball	PVC-U	PP	PVDF	11	O-ring	EPDM / FPM		
3	Handle	PP-GF			12	O-rings	EPDM / FPM		
4	Bush	PTFE			13	Screw (option)	Stainless steel		
5	Nut	Stainless steel			14	Washers (option)	Stainless steel		
7	Socket hex head screw	Stainless steel			15	Female end (option)	PVC-U	PP	PVDF
8	Ball gaskets	PTFE			16	Flange (option)	PVC-U	PP	PVDF
9	O-ring	EPDM / FPM							



# C110 VALVE WITH UM ELECTRIC ACTUATOR

## UM ELECTRICAL MOTORISATION

The UM motorisation proposed as standard is meant for:

- IP65 plastic housing for actuator and steel gear box,
- safety coefficient of 1.3 minimum compared to the nominal torque of the valve,
- upstream / downstream pressure difference  $\Delta P=10$  bar max.
- the actuator is mounted with an ISO 5211 base.

DN	Actuator	Power 230V AC / 24V AC/DC	Current 230V AC / 24V AC/DC	Time 230V AC / 24V AC/DC	Standard equipment of the actuator
65	UMC 15	25 W	0.42 A / 0.5 A	8 s	2 adjustable limit switches 2 dry auxiliary contacts Thermal protection of the motor Stand-by manual control with key Disengaging button Position visual indicator Electrical connection: 2 C.G. PF 1/2"
80	UMC 15	25 W	0.42 A / 0.5 A	8 s	
100	UMC 15	25 W	0.42 A / 0.5 A	8 s	
150	UMC 15	25 W	0.42 A / 0.5 A	8 s	

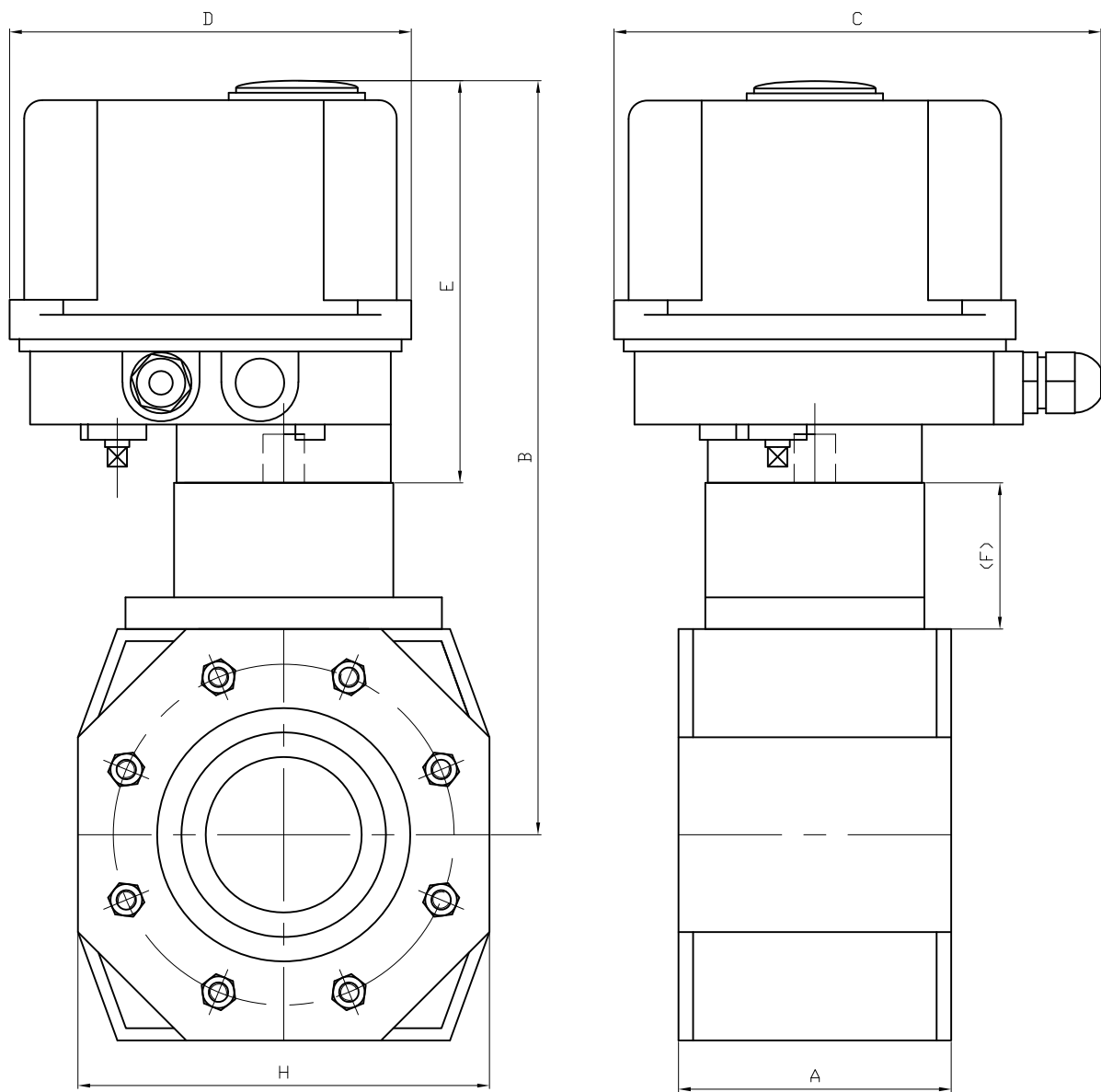
For any other operating conditions, please contact us.

\* indicative time for actuator running empty

## MOTORISATION OPTIONS

There are many options for which you are invited to contact our sales service:

4	UV actuator with handwheel override
5	anti-condensation heater



DN	DN65	DN80	DN100	DN150
SERVOMOTEUR	UMC15	UMC15	UMC15	UMC15
A	112	124	145	205
B	394	411	438	508
C	200	200	200	200
D	165	165	165	165
E	165	165	165	165
F	60	60	67	70
H	169	186	206	273
KG	8.75	9.55	11.25	18.35

Informations données à titre indicatif et sous réserve de modifications éventuelles  
 data subject to alteration

# UMC ELECTRIC ACTUATOR

## FEATURES

UMC and UMCL electric actuators are intended for motorising ¼ turn valves with a torque of 100 to 150Nm. With a compact construction and plastic housing, they especially well suited for motorising small-size ball valves and butterfly valves. IP65 leak-tightness: it can be used indoors and outdoors under a shelter.

## AVAILABLE MODELS

100Nm and 150Nm torques  
Supply voltages: 230V AC, 24V AC and 24V DC



## LIMITS OF USE

IP Code	IP 65
Ambient temperature	- 10°C / +60°C
Service factor	S4-30%

## MECHANICAL FEATURES

Gear box	treated steel pinions
Angle of rotation	90° +/- 5°
Declutching	Without
Override control	By key (except UML)



Actuator	UMC10	UMC15			UMC 15L
Voltage	230V AC	230V AC	24V AC	24V DC	230V AC
Torque (Nm)	100	150			
Manoeuvring time (s)	8	8	8	8	45
ISO 5211	F03 / F07 – star 17				

## ELECTRICAL FEATURES

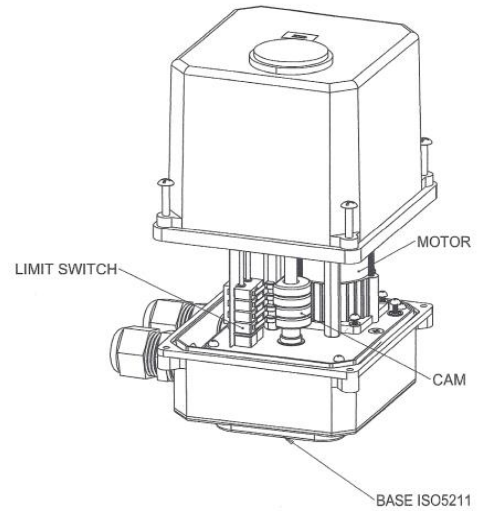
Motor protection	Thermal switch
Limit switches	2 adjustable switches
Auxiliary switches	2 adjustable dry switches
Anti-condensation	as an option
Electrical connection	2 C.G. ½" PF

Actuator	UMC10	UMC15			UMC 15L
Voltage	230V AC	230V AC	24V AC	24V DC	230V AC
Power (W)	25	25	25	25	25
Current (A)	0.42	0.42	0.5	0.5	0.42

# UMC ELECTRIC ACTUATOR

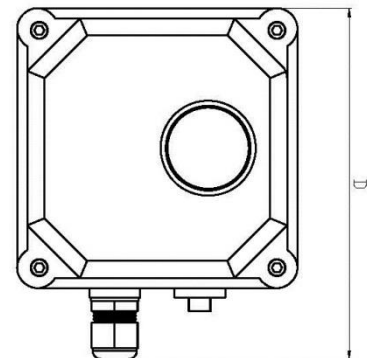
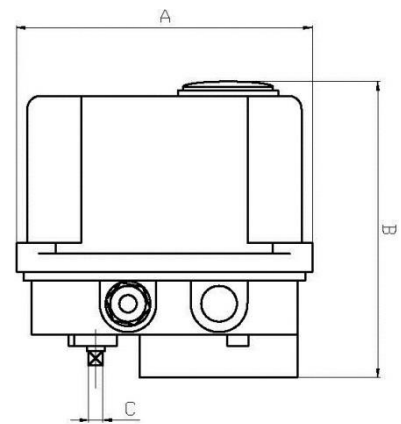
## CONSTRUCTION

Housing	PA 66 plastic
Cover	PA 66 plastic
Gear boxes	Treated steel
Stem end	Star
Adjustable cams	Steel
Position indicator	Plexiglas



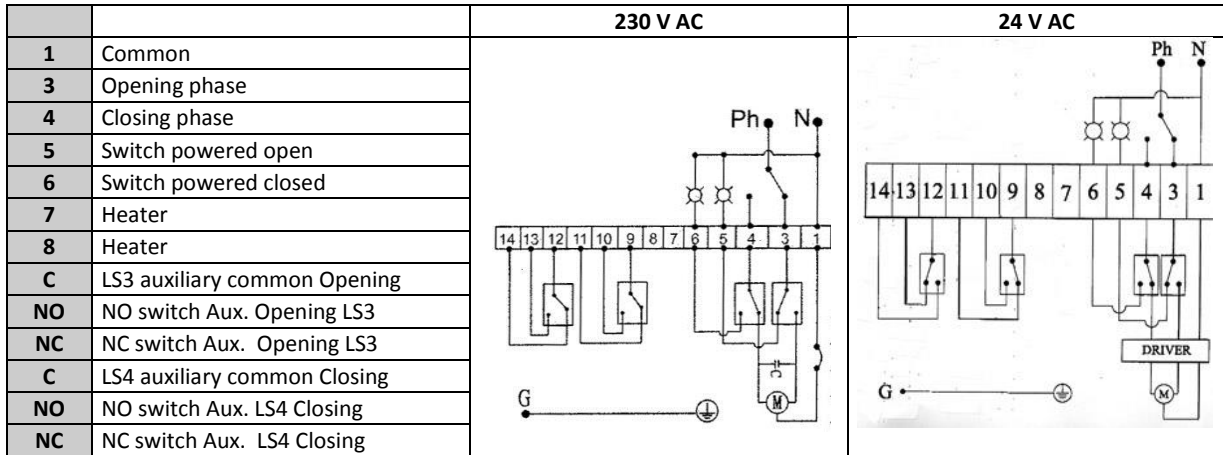
## DIMENSIONS (mm)

A	165
B	165
C	8
D	200



# UMC ELECTRIC ACTUATOR

## WIRING DIAGRAM 230V AND 24 V AC



## WIRING DIAGRAM 24V DC

