

2 PIECES BALL VALVE 1500 LBS



Size : DN 1/4" to DN 2"
Ends : Threaded female BSP, NPT or S.W.
Min Temperature : - 30°C in S.S. and - 20°C in carbon steel
Max Temperature : + 250°C
Max Pressure : 250 Bars (1500 lbs)
Specifications : Anti blow-out stem
Antistatic device
Full bore

Materials : Carbon steel or Stainless steel

2 PIECES BALL VALVE 1500 LBS

SPECIFICATIONS :

- Full bore
- Anti blow-out stem
- Class 1500 lbs
- Antistatic device
- 2 pieces type

USE :

- Chemical and pharmaceutical industries, petrochemical industries, hydraulic installation, compressed air
- Min and max Temperature Ts : - 30°C to + 250°C for stainless steel type **Ref.735**
- Min and max Temperature Ts : - 20°C to + 250°C for carbon steel type **Ref.734**
- Max Pressure Ps : 250 bars
- Steam : 30 bars maximum

RANGE :



- Ball valve 1500 lbs forged normalised ASTM A105N carbon steel zinc coated body **Ref. 734** DN 1/4" to DN 2"



- Ball valve 1500 lbs forged stainless steel body ASTM A182 F316L **Ref. 735** DN 1/4" to DN 2"



- Stainless steel 304 with red cover handle **Ref. 9830316-9830318**



- Locking device **Ref. 9830301-9830315**

ENDS :

- Female / female threaded BSP **Ref. 734** and **735**
- Female / female threaded NPT **Ref. 7341** and **7351**
- Socket Welding ends **on request**

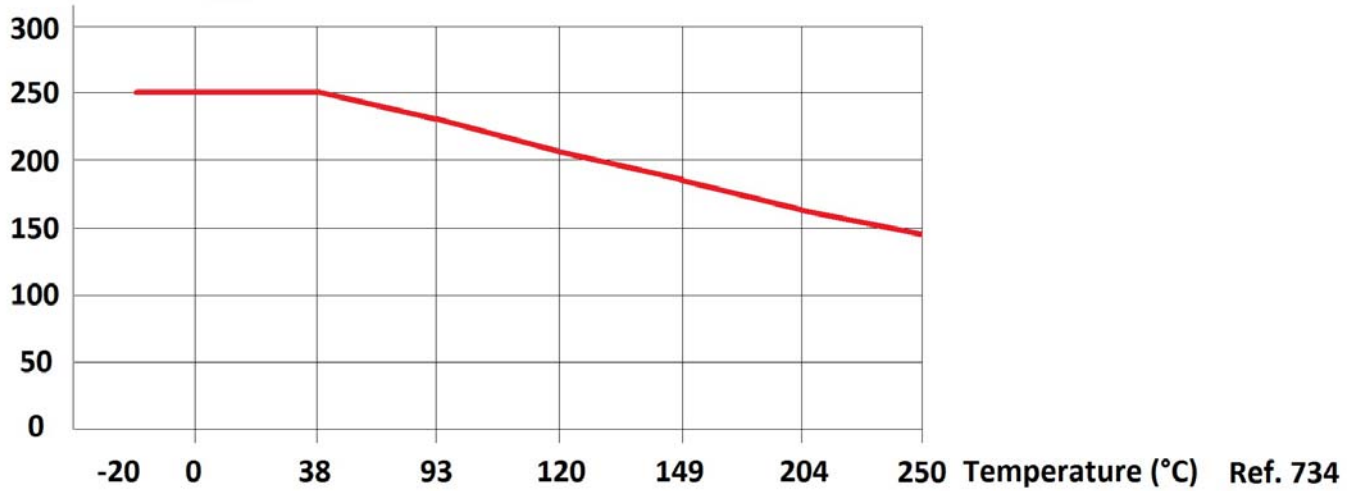
PRESSURE / TEMPERATURE RELATION :

Pressure (Bar)	250	250	229	204	183	165	145
Temperature (°C)	-30	38	93	120	149	204	250

2 PIECES BALL VALVE 1500 LBS

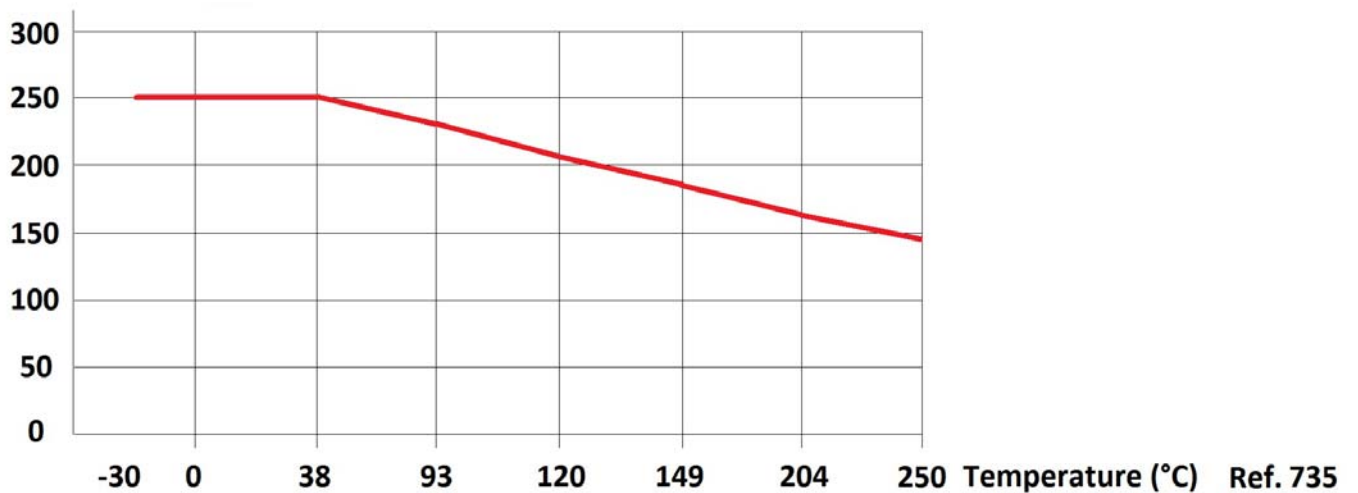
PRESSURE / TEMPERATURE GRAPH (STEAM EXCLUDED) CARBON STEEL TYPE REF.734 :

Pressure (Bar)



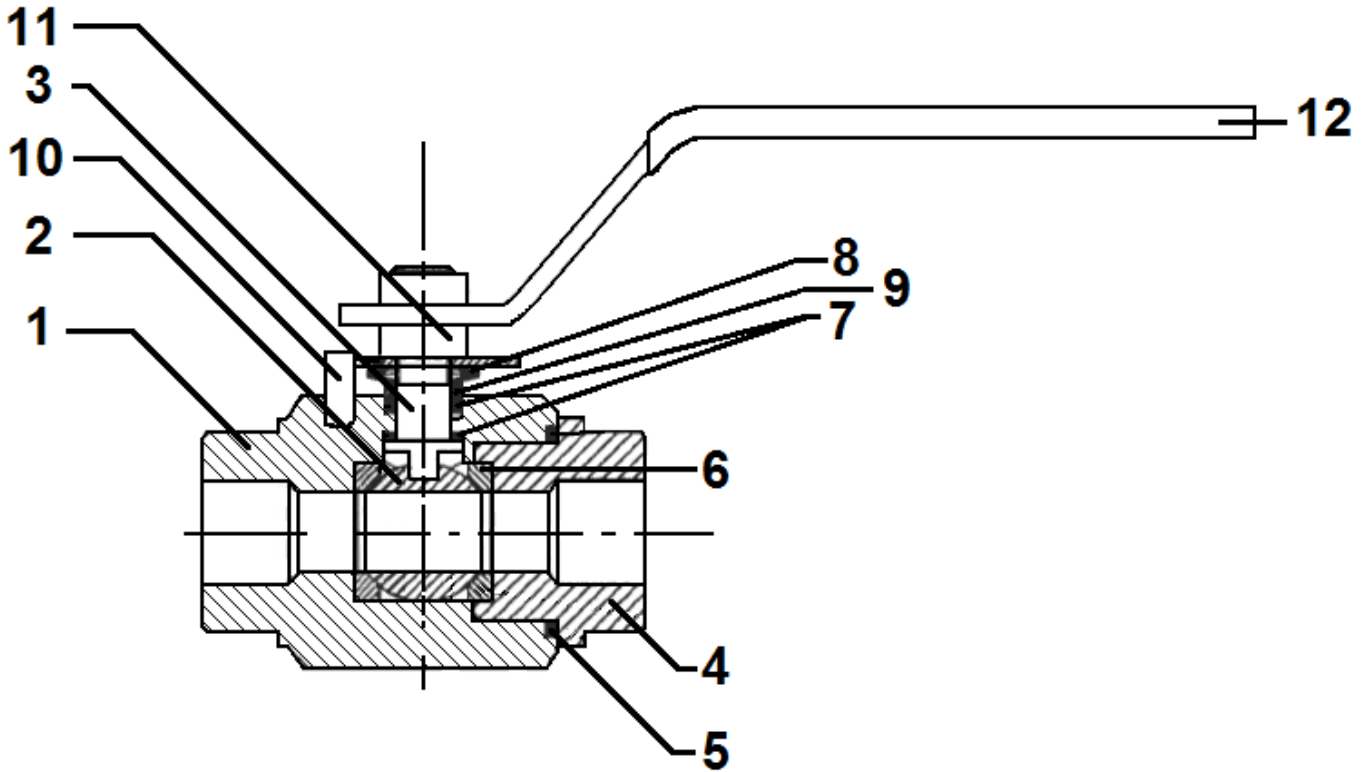
PRESSURE / TEMPERATURE GRAPH (STEAM EXCLUDED) STAINLESS STEEL TYPE REF.735 :

Pressure (Bar)



2 PIECES BALL VALVE 1500 LBS

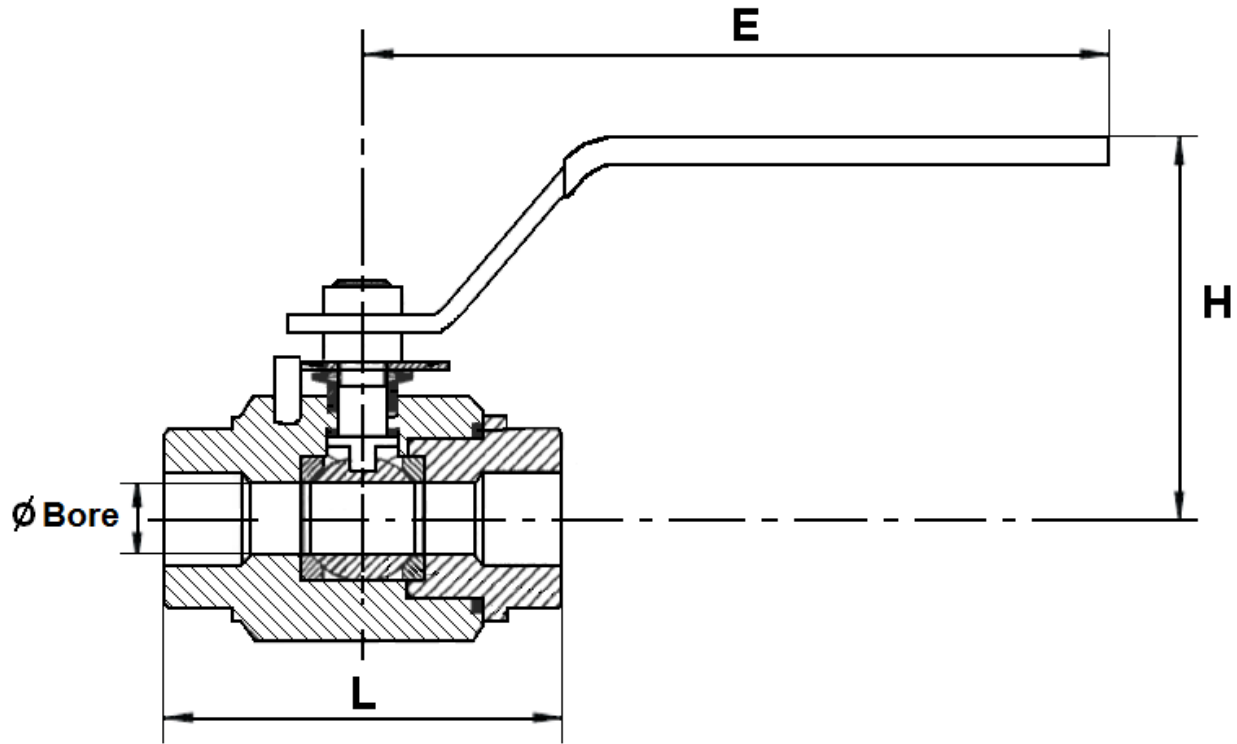
MATERIALS :



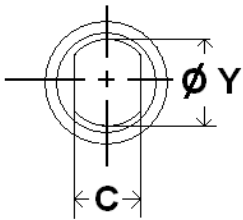
Item	Designation	Materials 734	Materials 735
1	Body	ASTM A105 N	ASTM A182 F316L
2	Ball	ASTM A182 F316L	
3	Stem	ASTM A182 F316L	
4	Ends	ASTM A105 N	ASTM A182 F316L
5	Body gasket	Carbongraphite	
6	Seat	PEEK	
7	Stem gasket	FKM	
8	Disc springs	Steel	
9	Packing gland	ASTM A105	F304
10	Stop	FE P11 (UNI 5867)	
11	Nut	Steel 6S	
12	Handle	FE P11 (UNI 5867)	

2 PIECES BALL VALVE 1500 LBS

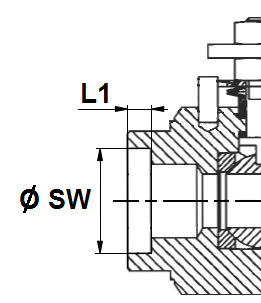
SIZE (in mm) :



Stem size :



SW ends size (on request) :



DN	1/4"	3/8"	1/2"	3/4"	1"	1"1/4	1"1/2	2"
Ø Bore	10	10	15	20	25	30	38	48
L	67	67	75	90	105	120	135	155
E	148	148	148	180	180	240	240	280
H	72	72	75	85	95	100	105	115
C	5	5	5.5	7.5	7.5	9	9	9
Ø Y	8	8	10	12	12	14	14	14
Ø SW	14.3	17.8	21.8	27.3	34	42.6	48.7	61.3
L1	9.5	9.5	9.5	11.5	13	14	16	17
Weight (Kg)	0.6	0.6	0.8	1.5	2	3.3	4.5	6

2 PIECES BALL VALVE 1500 LBS

STANDARDS :

- Fabrication according to ISO 9001 : 2008
- DIRECTIVE 97/23/CE : CE N° 0948
Risk category III Module B+C1
- Tests according to API 598
- Designing according to ANSI B16.34
- Threaded female BSP cylindrical ends according to ISO 228-1
- Threaded female NPT ends according to ANSI B2.1
- Materials according to NACE MR 01-75 **on request**
- **On request**, ATEX Group II Category 2 G/2D Zone 1 & 21 Zone 2 & 22

ADVICE : Our opinion and our advice are not guaranteed and SFERACO shall not be liable for the consequences of damages. The customer must check the right choice of the products with the real service conditions.

INSTALLATION AND MAINTENANCE

BEFORE INSTALLATION :

- Pipe-line must be cleaned and free from residual of weldings, rubbish, shaving and every kind of extraneous materials.
- Pipe-line must be perfectly aligned and their support properly dimensioned so that there's no external constraint.
- Please use the right product according to the services conditions to seal the valve.
- Use the right bolt tightening so that the ends won't be damaged.
- **During welding operation, for S.W. types half open the valve and weld the valves according to special procedures (like in water) to protect the seat because it could burn.**

CLEANING AND TESTS

- Keep closed the valves during the cleaning operation so that there's no impurities between the ball and the body.
- Tests under pressure must be done with a cleaned pipe-line.
- Open partially the valve for tests. Pressure test do not exceed the valve specifications according to API 598.

MAINTENANCE

- It's recommended to operate the valve (open and close) 1 to 2 times per year.
- When intervention on the valve, be sure there's no pressure in the pipe-line, there's no fluid in it, and that it is isolated.
- The temperature must be low enough to operate without risks.
- If there's a corrosive fluid, inert installation before intervention.