

Series 240

Type 3241/3374 Electric Control Valve Type 3241 Globe Valve

Type 3244/3374 Electric Control Valve Type 3244 Three-way Valve



Application

Versatile control valves for industrial applications as well as for heating, ventilation and air-conditioning systems

DN 15 to 150 · PN 16 to 40 · Temperatures from -196 to +450 °C



Type 3244 Three-way Valve or Type 3241 Globe Valve with Type 3374 Electric Actuator

- Type 3241 Globe Valve, refer to Data Sheet ▶ T 8015 EN
- Type 3244 Three-way Valve, refer to Data Sheet ▶ T 8026 EN

The Type 3374 Electric Actuator is available in various versions (for details, refer to Data Sheet ▶ T 8331 EN):

- With additional electrical equipment (limit contacts, resistance transmitter, positioner)

Also available:

- Electric control valves with other electric actuators, refer to Data Sheets ▶ T 5874 EN, ▶ T 8340 EN and ▶ T 8331 EN
- Pneumatic actuators, refer to Data Sheet ▶ T 8015 EN
- Versions tested according to DIN EN 14597, refer to Data Sheet ▶ T 5871 EN

Installation

The control valves can be installed in any desired position except with the actuator suspended downwards. The actuator is attached to the yoke with a fastening nut.

Ordering text

- Electric control valve · Type 3241/3374 or Type 3244/3374
- DN ..., body material, PN ...
- For Type 3244 Valve: mixing or diverting valve
- Type 3374:
 - Power supply for version with three-point stepping signal:
 - 230 V/50 or 60 Hz
 - 120 V/60 Hz
 - 24 V/50 or 60 Hz
 - Power supply for version with positioner:
 - 85 to 264 V/50 and 60 Hz
 - 24 V/50 and 60 Hz
 - 24 V DC
- Optionally, special version



Fig. 1: Type 3241/3374



Fig. 2: Type 3244/3374

Table 1: Overview: Nominal sizes, K_{VS} coefficients, seat diameters and permissible differential pressures Δp in bar when $p_2 = 0$ bar

Table 1.1: Type 3241/3374-15

K_{VS} coefficient	0.1	0.16	0.25	0.4	0.63	1.0	1.6	2.5	4.0	6.3	10	16	25	40	60	63	80	100	160	200	260	
Seat Ø [mm]	3			6			12			24			31	38	48	63		80		100	110	130
Travel [mm]	15															30	15	30				
DN																						
15	•	•	•	•	•	•	•	•	•	•												
20	•	•	•	•	•	•	•	•	•	•												
25	•	•	•	•	•	•	•	•	•	•	•											
32				•	•	•	•	•	•	•	•	•										
40				•	•	•	•	•	•	•	•	•	•									
50				•	•	•	•	•	•	•	•	•	•	•								
65													•	•	•							
80													•	•	•		•					
100																	•		•	•		
125																		•	•	•		
150																	•		•		•	•
Δp in bar when $p_2 = 0$ · Actuator force: 2.5 kN																						
Without balanced plug																						
	40	40	40	40	40	40	40	40	40	40	40	26.5	17.2	10.4	5.7	5.7	3.3	3.3	1.9	1.5	1	
Balanced PTFE																						
Without bellows seal	-	-	-	-	-	-	-	-	-	-	-	-	-	-	-	-	40	40	40	40	40	
With bellows seal	-	-	-	-	-	-	-	-	-	-	-	-	-	-	-	-	40	11.8	10	9	7	

Table 1.2: Type 3244/3374-15

K_{VS} coefficient	2	4	6.3	10	6.3	10	16	25	25	40	60	80	100	140	160	200	300	
Seat Ø [mm]	24				31			38	48			63	75	80	90	100	110	130
Travel [mm]	15												30					
DN																		
15	•	•																
20	•	•	•															
25	•	•	•	•														
32					•	•	•											
40					•	•	•	•										
50					•	•	•	•		•								
65									•	•	•							
80									•	•	•	•						
100													•		•			
125														•		•		
150																•	•	
Δp in bar when $p_2 = 0$ · Actuator force: 2.5 kN																		
	40	40	40	40	26.5	26.5	26.4	17.2	10.4	10.4	5.7	3.9	3.3	2.5	1.9	1.5	1.0	

Table 2: Dimensions and weights

Table 2.1: Type 3241 Valve (without actuator)

Nominal size	DN	15	20	25	32	40	50	65	80	100	125	150
Length L	mm	130	150	160	180	200	230	290	310	350	400	480
Height H1	mm	H2 + H										
Height H2	mm	220	220	220	220	220	220	260	260	350	363	390
Height H3	mm	61	61	61	61	61	61	61	61	75	75	75
Height H4, fail-close	mm	75	75	75	75	75	75	75	75	90	90	90
Height H5	mm	44	44	44	72	72	72	98	98	118	144	175
Weight	kg (approx.)	5	6	7	11	12	15	24	30	42	80	120

Table 2.2: Type 3241 Valve with insulating section/with bellows seal (without actuator)

Nominal size	DN	15	20	25	32	40	50	65	80	100	125	150	
Height H9	Short/with bellows	mm	408	408	408	408	408	450	450	635	644	671	
	Long/long with bellows	mm	710	710	710	712	712	712	754	754	883	885	912
Weight	Short/with bellows	kg (approx.)	8	9	10	17	18	21	32	38	60	105	150
	Long/long with bellows	kg (approx.)	12	13	14	21	22	25	36	42	68	113	158

Table 2.3: Type 3241 Valve with heating jacket (does not apply to valve body made of EN-JL1040 or EN-JS1049)

Nominal size	DN	25	50	80	100
a	mm	110	140	180	200
b	mm	15	20	35	50
c	mm	140	170	215	250

Table 2.4: Type 3374 Actuator

Height H	mm	204
Height H6	mm	150 (min. clearance required to disassemble the actuator)/300 (cover screws are mounted from top)
Weight	kg (approx.)	3.2

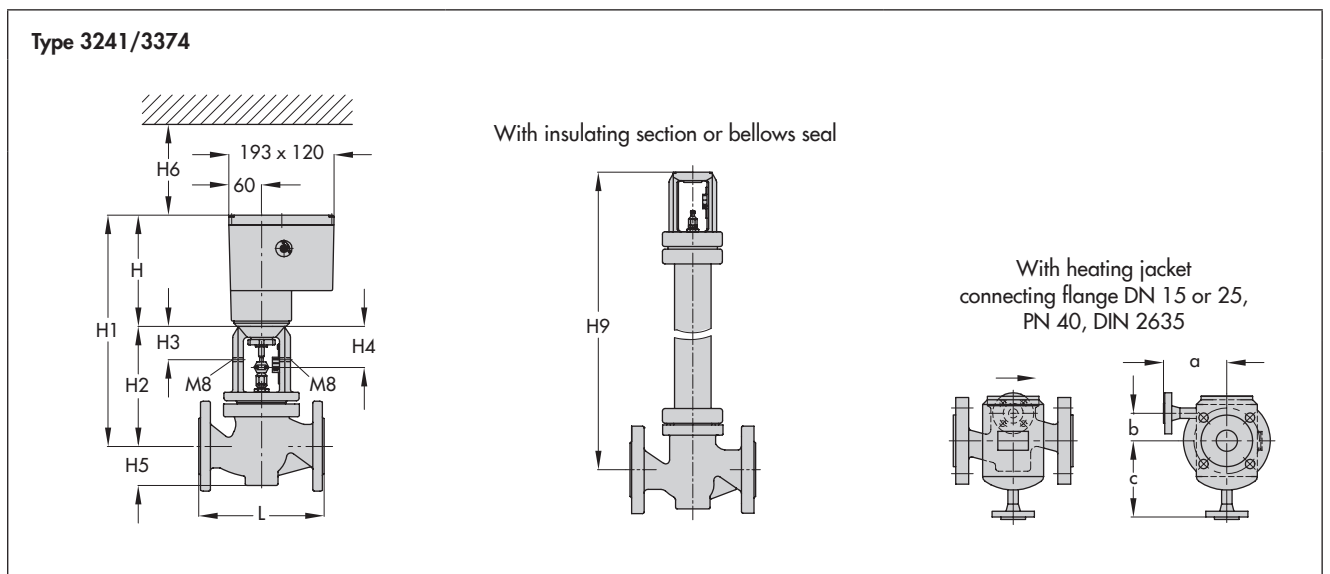


Table 2.5: Type 3244 Valve (without actuator)

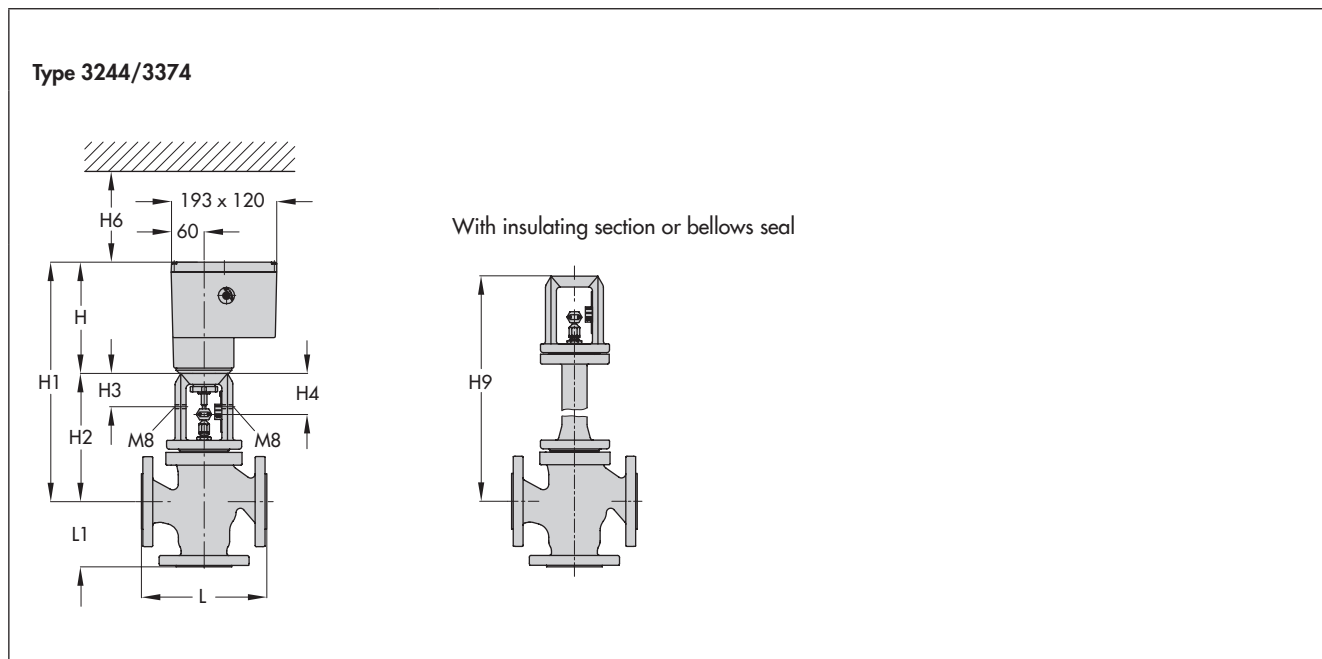
Nominal size	DN	15	20	25	32	40	50	65	80	100	125	150
Length L	mm	130	150	160	180	200	230	290	310	350	400	480
Height L1	mm	70	80	85	100	105	120	130	140	150	200	210
Height H1	mm	H2 + H										
Height H2	mm	235	235	235	235	235	235	270	270	360	375	375
Height H3	mm	61	61	61	61	61	61	61	61	75	75	75
Height H4, stem extended	mm	75	75	75	75	75	75	75	75	90	90	90
Weight	kg (approx.)	6	7	8	14	15	17	31	37	49	93	135

Table 2.6: Type 3244 Valve with insulating section/with bellows seal (without actuator)

Nominal size	DN	15	20	25	32	40	50	65	80	100	125	150	
Height H9	Short/with bellows	mm	420	420	420	410	410	410	435	435	635	600	615
	Long/long with bellows	mm	725	725	725	715	715	715	740	740	875	840	855
Weight	Short/with bellows	kg (approx.)	9	10	11	20	21	23	39	45	67	118	165
	Long/long with bellows	kg (approx.)	12	14	16	24	25	27	43	49	95	126	173

Table 2.7: Type 3374 Actuator

Height H	mm	204
Height H6	mm	150 (min. clearance required to disassemble the actuator)/300 (cover screws are mounted from top)
Weight	kg (approx.)	3.2



Specifications subject to change without notice



SAMSON AG · MESS- UND REGELTECHNIK
 Weismüllerstraße 3 · 60314 Frankfurt am Main · Germany
 Phone: +49 69 4009-0 · Fax: +49 69 4009-1507
 Internet: <http://www.samson.de>

T 5870 EN

2013-05-17