

VACUUM BREAKER VB 16C

DESCRIPTION

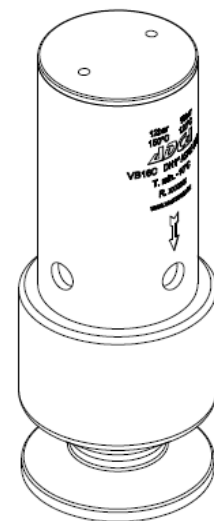
The VB16C vacuum breakers are simple and reliable devices that automatically relieve or “break” an unwanted vacuum condition, restoring the atmospheric pressure. This device is particularly suitable for steam heated units of small and medium volume as heat exchangers, heating coils, calorifiers, jacketed kettles, steam boilers, etc.

STANDARD SURFACE FINISH

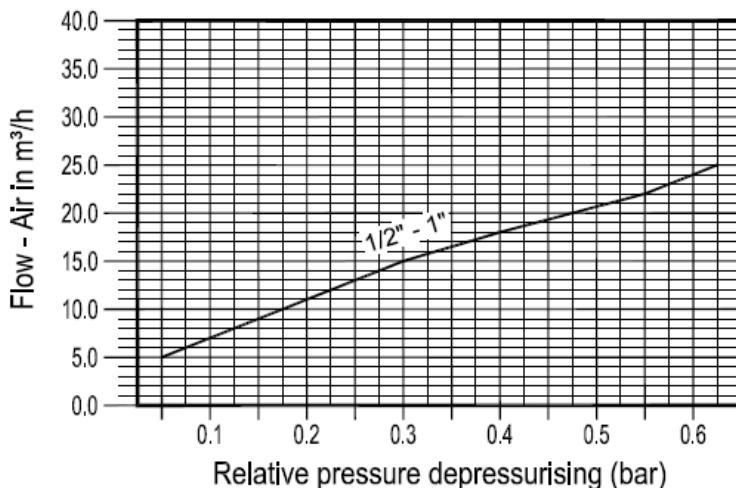
Internal wetted parts: $\leq 0,5$ micron Ra
 External : $\leq 0,8$ micron Ra
 (0,25 micron Ra and electro polished as option)
 Ultrasonic cleaning

- OPTIONS:** Different kind of connections
- USE:** Saturated steam and other gases compatible with the construction
- AVAILABLE MODELS:** VB16C
- SIZES:** DN 3/4" - 1" : DN15 to DN25
- CONNECTIONS:** Clamp ends or others on request
- PACKAGING:** Assembling and packaging in a clean room certified according to ISO 14644-1. The product is end capped and vacuum sealed with recyclable plastic film to avoid contamination.
- INSTALLATION:** Vertical installation
 See IMI, installation and maintenance instructions.
- LIMITING CONDITIONS:** 12 bar at 150 °C
 16 bar at 120 °C

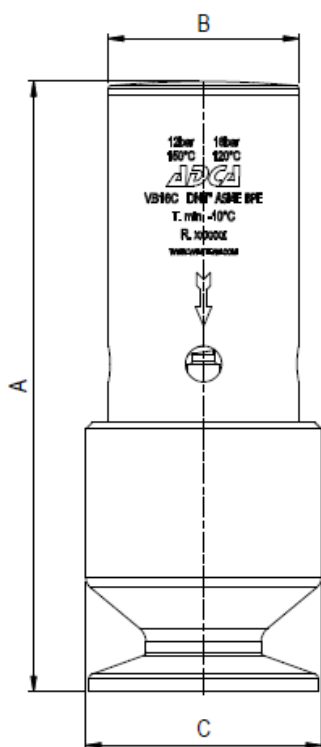
How to order: i.e. VB16C DN3/4" ASME BPE
 (0,05-0,10bar)



CAPACITY CHART



CE MARKING (PED - European Directive 97/23/EC)	
PN 16	Category
DN1/2" to DN 1"	SEP - art. 3, paragraph3



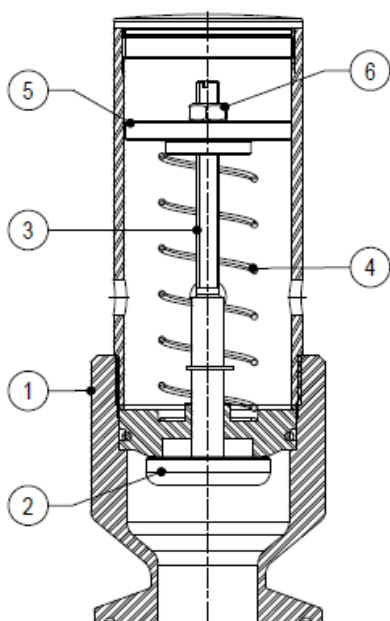
DIMENSIONS (mm)						
SIZE DN	A ASME BPE	A ISO 1127	B	C	WGT. Kgs BPE	WGT. Kgs ISO
1/2" - 15	*	128	42	52	*	0,85
3/4" - 20	128	128	42	52	0,73	0,86
1" - 25	128	128	42	52	0,85	0,85

Set depressurising bar:

(0,05-0,10), (0,09-0,20), (0,29-0,40), (0,39-0,50).

* Not available with ASME BPE connection

Different dimensions and standards on request.



MATERIALS		
POS.Nr.	DESIGNATION	MATERIAL
1	Body	AISI316L / 1.4406
2	*Valve	AISI316L / 1.4406 and VITON
3	Stem	AISI316L / 1.4406
4	*Spring	AISI302 / 1.4300
5	Spring guide	AISI316 / 1.4401
6	Nut	St.Steel A2-70

*Available spare parts.

Remarks: FDA/USP Class VI seals certificate on request

All valves have a serial number. In case of non-standard valves this number must be supplied if spare parts are ordered.