

## CONDENSATE DRAIN VALVES CDV 32

### DESCRIPTION

CDV 32 condensate drain valve automatically drains condensate from steam systems during start-up. A compression spring inside the governor keeps the valve open if the appliance stays without pressure. As soon as the service pressure has reached the closing pressure to which the CDV has been adjusted, the valve closes due to the differential pressure. When the pressure drops below the closing pressure the Condensate Drain Valve opens by spring force. Connections are female screwed or flanged.

### MAIN FEATURES

Hand purging knob for operating CDV with the system under pressure.  
Built-in, easy-to-clean strainer.

USE : Saturated steam

AVAILABLE

MODELS : CDV 32

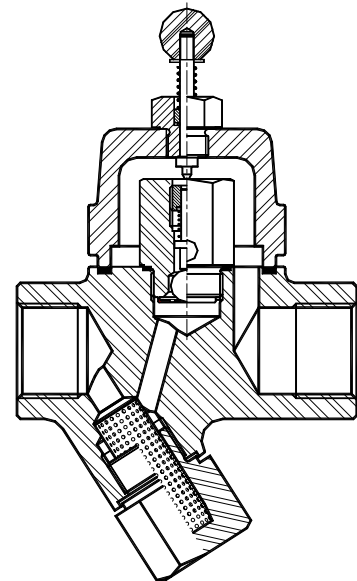
SIZES : 1/2" , 3/4" - DN15 and DN20.

CONNECTION: Female screwed ISO 7/1 Rp (BS21)  
Flanged EN 1092-1.  
Special flanges upon request.

INSTALLATION: Vertical installation recommended.  
When installed in horizontal lines, an outlet connecting pipe pointing downwards should be provided.  
See IMI installation and maintenance instructions.

PMA – Max. allowable pressure 32 bar  
TMA – Max. allowable temperature 300 °C  
PMO – Max. operating pressure 21 bar  
TMO –Max. operating temperature 250 °C  
Closing pressure 1,5 bar

How to order: i.e. CDV32 DN 1/2" BSP

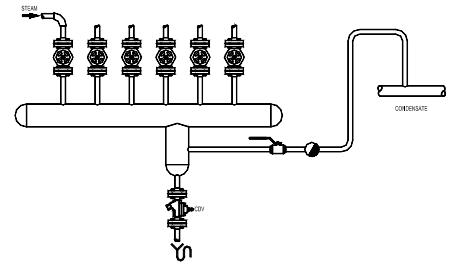
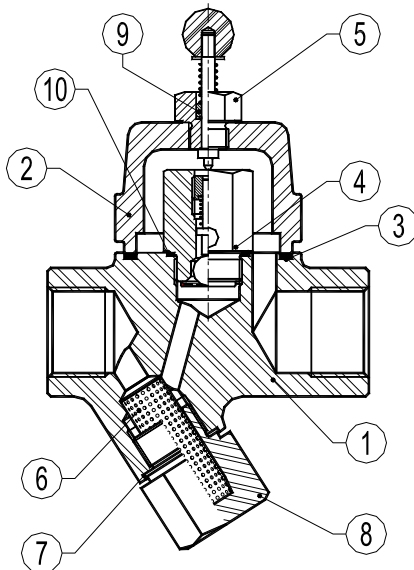
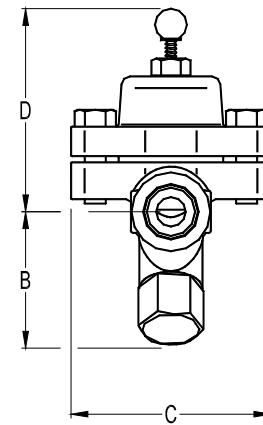
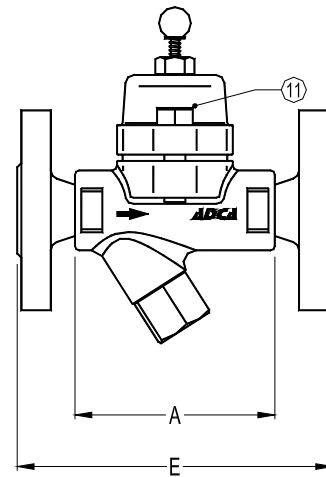


FLOW RATE CAPACITY IN Kgs/h										
MODEL	SIZE	DIFFERENTIAL PRESSURE (bar)								
		0,1	0,2	0,3	0,4	0,5	0,6	0,8	1	1,5
CDV 32	15 - 20	220	280	380	420	470	520	585	630	780

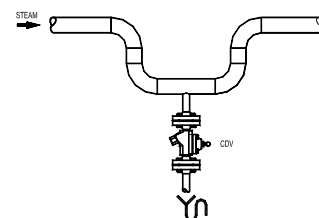
DIMENSIONS (mm)-Screwed						EN 1092-1 Flanges	
SIZE DN	A	B	C	D	WGT. Kgs	E	WGT. Kgs
1/2"	95	65	95	97	1,2	150	1,6
3/4"	95	65	95	97	1,2	150	1,6

MATERIALS		
POS.N r.	DESIGNATION	MATERIAL
1	Body	P250GH / 1.0460
2	Cover	P250GH / 1.0460
3	* Gasket	St.St./Graphite
4	* Valve controller	AISI304 / 1.4301
5	*Hand purging knob	Plastic
6	* Strainer screen	AISI304 / 1.4301
7	* Gasket	St.Steel / Graphite
8	Cover strainer	A 105 / 1.0432
9	*Gasket	AISI304 / 1.4301
10	*Gasket	AISI304 / 1.4301
11	Bolts	Steel 8.8

\* Available spare parts



Draining a steam main with an elevated condensate line.



Draining a water pocket in outdoor plant, this installation also prevents freezing.