

GEARBOX FOR BUTTERFLY VALVES TTV



- Size :** DN 32 to 1400 mm
Ends : For TTV butterfly valves
Ingress protection grading : IP 65
Specifications : Worm wheel type
Direct mounting on ISO 5211 mounting pad
Carbon steel handwheel
Carbon steel shaft

Materials : Aluminium body

GEARBOX FOR BUTTERFLY VALVES TTV

SPECIFICATIONS :

- For TTV butterfly valves
- Ingress protection grading IP65
- Worm wheel type
- Direct mounting on ISO 5211 mounting pad
- Carbon steel handwheel
- Carbon steel shaft
- Aluminium body

RANGE :

- Gearbox IP65 Ref. **1197** from DN 32 to DN 1400 for TTV butterfly valves

DATASHEETS :

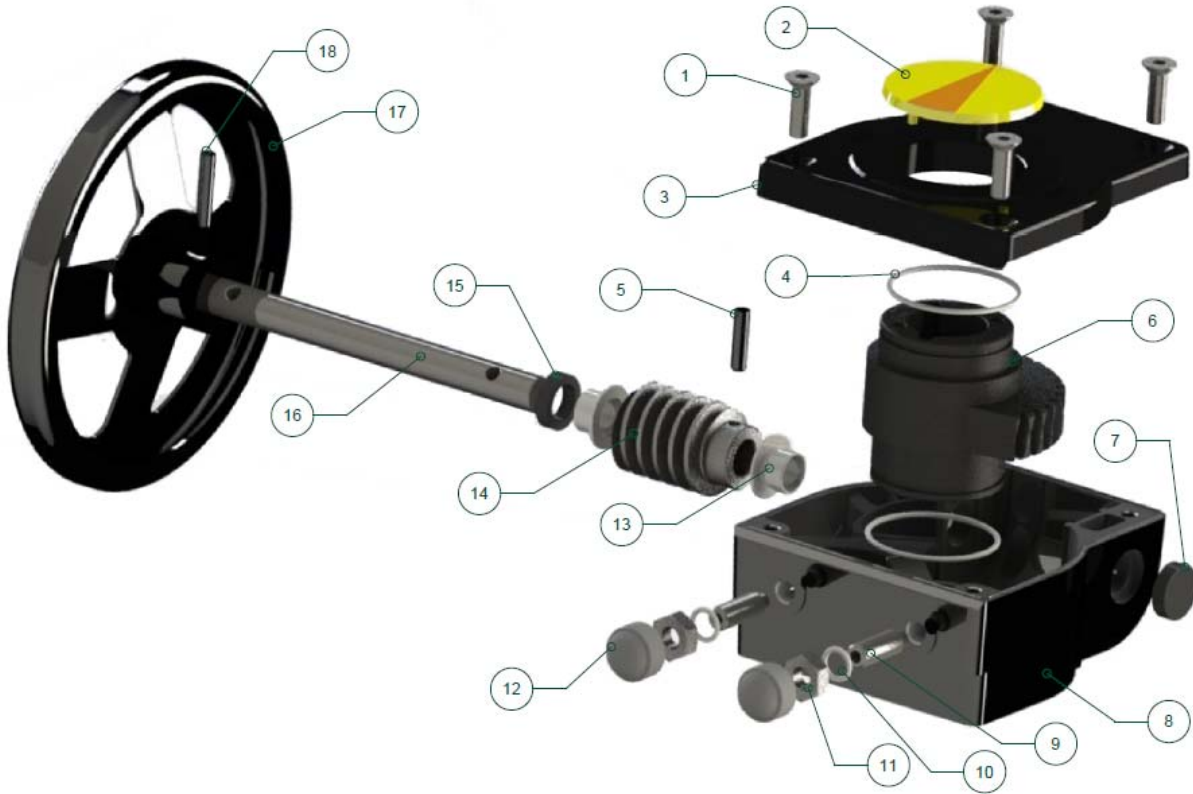
DN	32/50	65	80/100	125/150	200	250	300	350
Ref.	1197050	1197065	1197100	1197150	1197200	1197250	1197300	1197350
Ratio factor	37 : 1	37 : 1	37 : 1	37 : 1	37 : 1	36 : 1	36 : 1	50 : 1
Number of turns for opening / closing	9.25	9.25	9.25	9.25	9.25	9	9	12.5
Input torque (Nm)	12.5	12.5	12.5	12.5	12.5	23	23	50
Output torque (Nm)	300	300	300	300	300	675	675	1310

DN	400	450	500	600	700	800	900	1000
Ref.	1197400	1197451	1197501	1197601	1197700	1197800	-	-
Ratio factor	50 : 1	38 : 1	55 : 1	52 : 1	208 : 1	208 : 1	312 : 1	312 : 1
Number of turns for opening / closing	12.5	9.5	13.75	13	52	52	78	78
Input torque (Nm)	50	86	96	160	65	65	80	80
Output torque (Nm)	1310	1620	2640	4160	6800	6800	12500	12500

DN	1200	1300	1400
Ratio factor	702 : 1	720 : 1	720 : 1
Number of turns for opening / closing	175.5	180	180
Input torque (Nm)	50	91	91
Output torque (Nm)	17000	32000	32000

GEARBOX FOR BUTTERFLY VALVES TTV

MATERIALS :



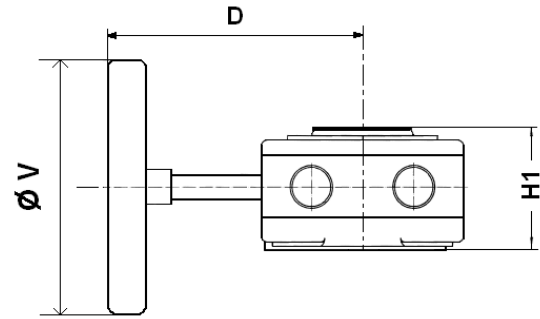
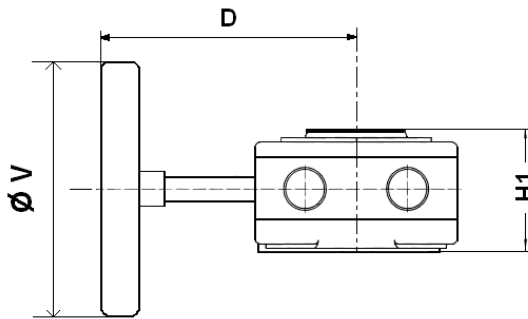
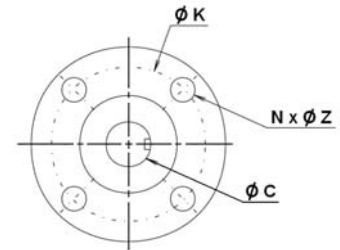
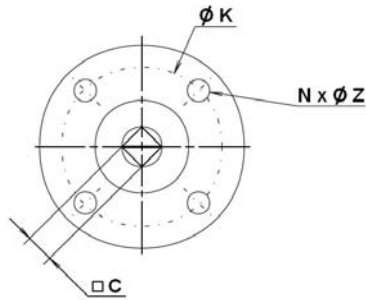
Item	Designation	Materials
1	Bolt	SS 304
2	Pointer	Polypropylene
3	Cover	Aluminium
4	O ring	NBR
5	Pin	Steel
6	Quadrant	Ductile iron EN GJS-400-15
7	Gasket	NBR
8	Body	Aluminium
9	Adjusting bolt	Steel
10	Washer	Galvanized steel
11	Nut	Galvanized steel
12	Cap	NBR 70
13	Bushing	Bronze
14	Worm	Carbon steel 45
15	Gasket	NBR
16	Shaft	Carbon steel 45
17	Handwheel	Carbon steel
18	Pin	Steel

GEARBOX FOR BUTTERFLY VALVES TTV

SIZE (in mm) :

DN 32 – 400

DN 450 - 1400



DN	32/50	65	80/100	125/150	200	250	300	350	400	450	500
D	120	120	120	136	136	223	223	345	345	364	386
H1	58	58	58	58	58	74	74	98	98	90	98
ϕV	140	140	140	200	200	300	300	400	400	600	600
C	8	9	11	14	17	19	22	22	27	50	50
ϕK	70	70	70	70	70	102	102	140	140	140	140
ISO	F07	F07	F07	F07	F07	F10	F10	F14	F14	F14	F14
$N \times \phi Z$	4 x M8	4 x M8	4 x M8	4 x M8	4 x M8	4 x M10	4 x M10	4 x M16	4 x M16	4 x M16	4 x M16
Weight (Kg)	1.35	1.35	1.35	1.75	1.75	4	4	9.5	9.5	18.8	26.8

DN	600	700	750	800	900	1000	1100	1200	1300	1400
D	421	440	440	438	492	492	492	550	605	605
H1	122	117	117	117	125	125	125	115	178	178
ϕV	700	500	500	700	600	600	600	800	700	700
C	60	60	65	65	80	80	80	100	120	120
ϕK	165	254	254	254	254	254	254	254	298	298
ISO	F16	F25	F25	F25	F25	F25	F25	F25	F30	F30
$N \times \phi Z$	4 x M20	8 x M16	8 x M16	8 x M16	8 x M16	8 x M16	8 x M16	8 x M16	8 x M20	8 x M20
Weight (Kg)	38.3	49	49	51.3	74.8	74.8	74.8	86.5	232	232

GEARBOX FOR BUTTERFLY VALVES TTV

STANDARDS :

- Fabrication according to ISO 9001:2008

ADVICE : Our opinion and our advice are not guaranteed and SFERACO shall not be liable for the consequences of damages. The customer must check the right choice of the products with the real service conditions.